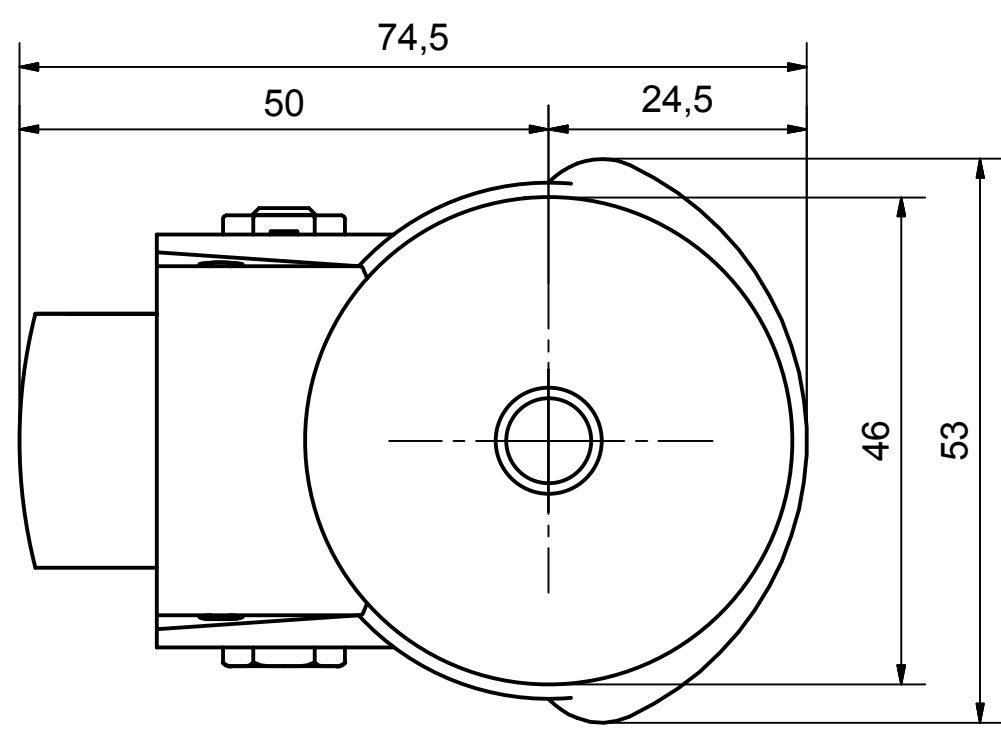



**Load Capacity: 50kg, for speed up to 4km/h
(According to EN 12530)**



 PRODUCTION OF INSTITUTIONAL CASTORS AND WHEELS THESSALONIKI - GREECE This drawing is the property of RODA S.A. It must neither be reproduced in any manner nor shall it be submitted to third parties or competitors without our written consent.	PERMIS. VARIATIONS:		PART No:
	SURFACE FINISH:		UNF . DIM.:
DESIGNED 8/8/2013 E.POLIMEROPOULOU DRAWN 8/8/2013 E.POLIMEROPOULOU CHECKED 8/8/2013 H.SAATSOGLU	PART NAME : M.050.NA.BS		PART DESCRIPTION : Swivel castor, steel support, bolt stem M10X20mm.Wheel 50x24mm,white polyamide plain bearing
C3 B2 A1 A/A	QUANTITY REPLACE :	SCALE	DRAWING NUMBER : SHEET No.
		GEN. DWG. NUM. :	