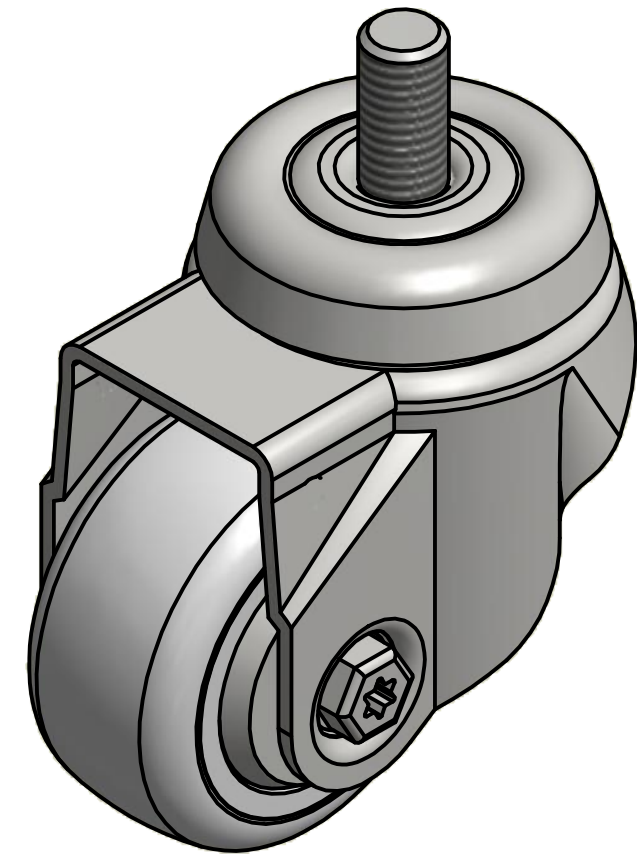
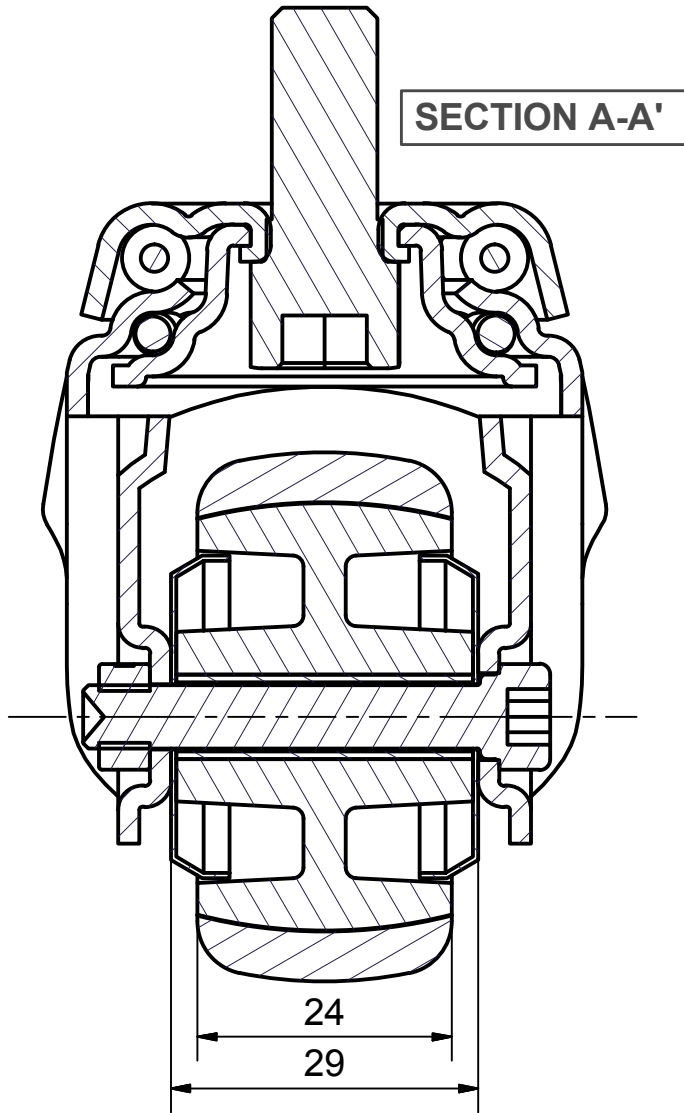
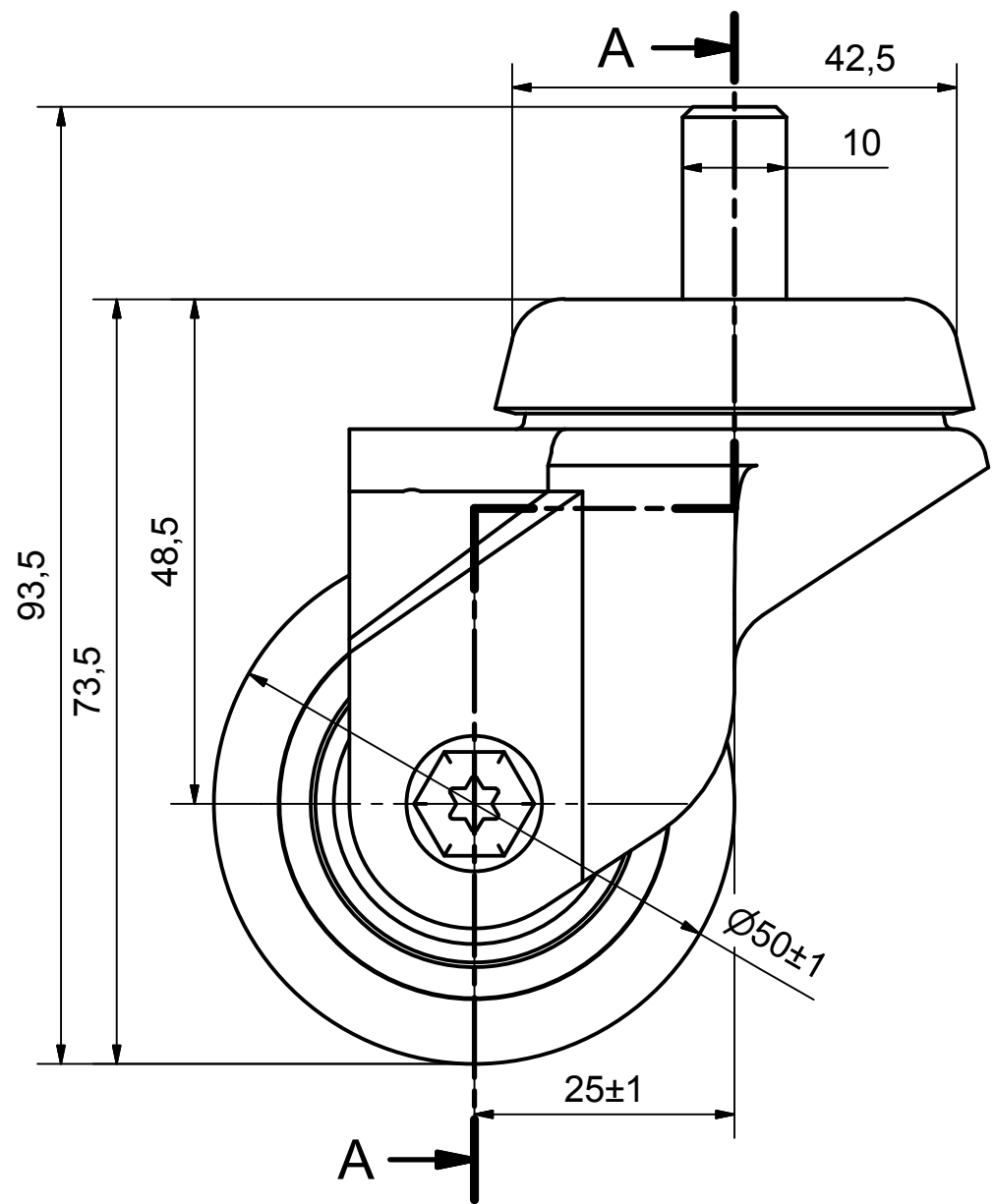


6 5 4 3 2 1

D

D



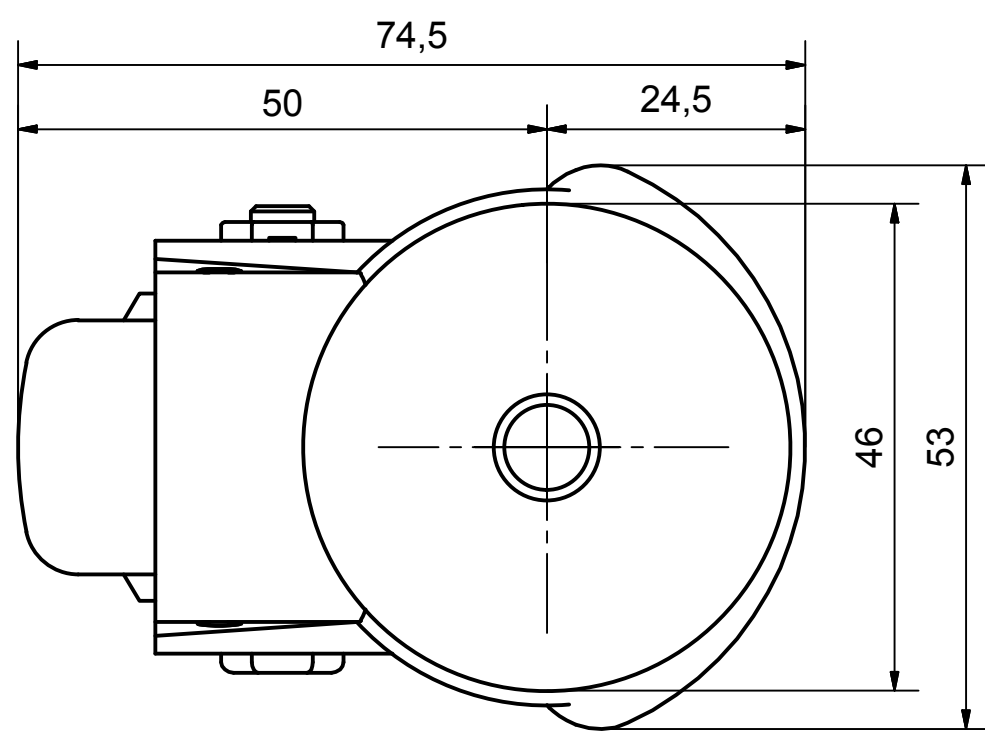
**Load Capacity: 50kg, for speed up to 4km/h
(According to EN 12530)**

C

C

B


B



A

A

6 5 4 3 2 1

 PRODUCTION OF INSTITUTIONAL CASTORS AND WHEELS THESSALONIKI - GREECE This drawing is the property of RODA S.A. It must neither be reproduced in any manner nor shall it be submitted to third parties or competitors without our written consent	PERMIS. VARIATIONS:		PART No:	
	SURFACE FINISH:		UNF . DIM.:	
DESIGNED 8/8/2013 E.POLIMEROPOULOU DRAWN 8/8/2013 E.POLIMEROPOULOU CHECKED 8/8/2013 H.SAATSOGLOU			PART NAME : M.050.NNA.BSG	
QUANTITY SCALE			PART DESCRIPTION : Swivel castor, steel support, bolt stem M10X20mm.Wheel 50x24mm,white polyamide plain bearing,steel threadguards	
C3 B2 A1 A/A		REPLACE :		DRAWING NUMBER : SHEET No.
GEN. DWG. NUM. :			SHEET No.	