

6 5 4 3 2 1

D

D

C

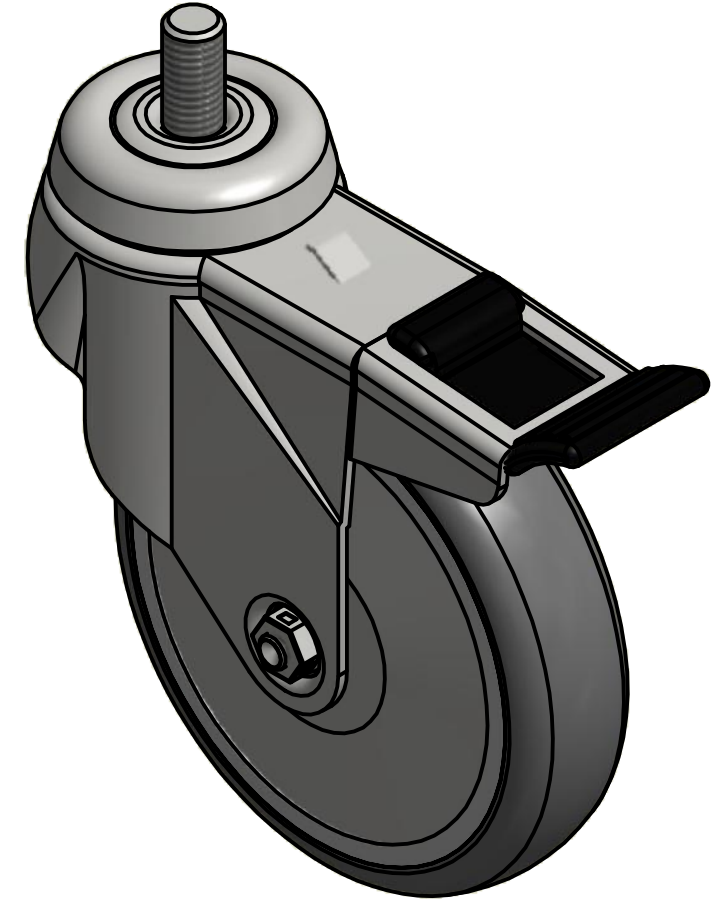
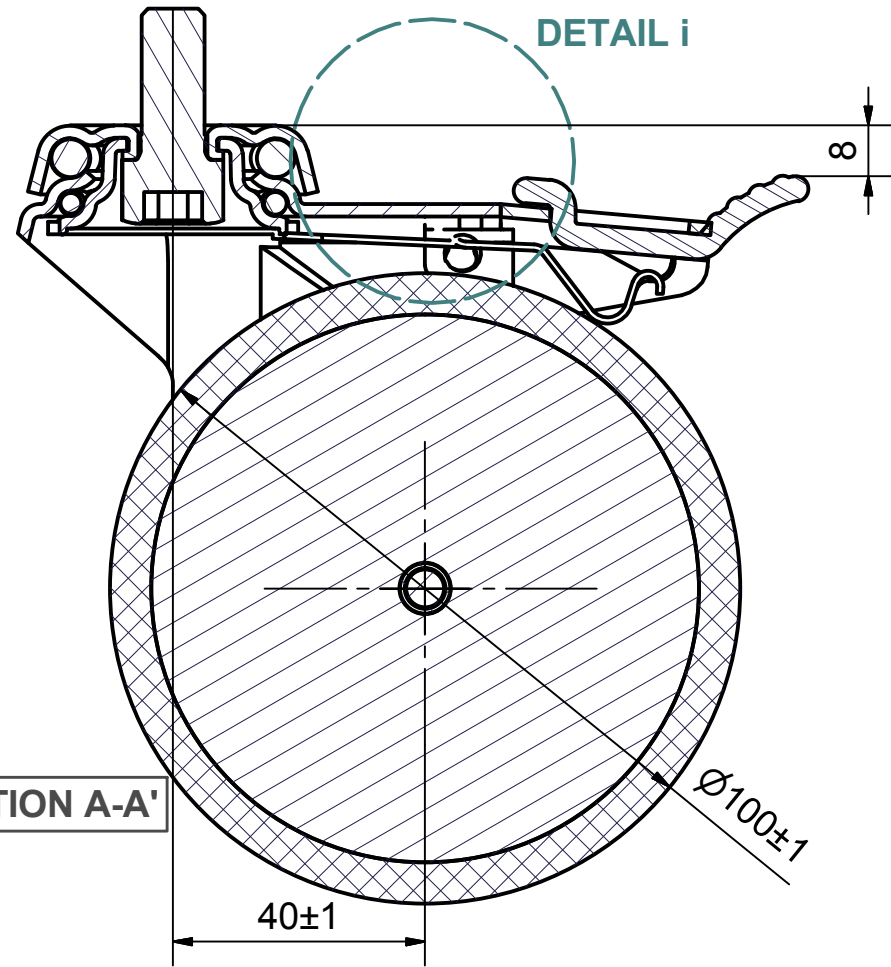
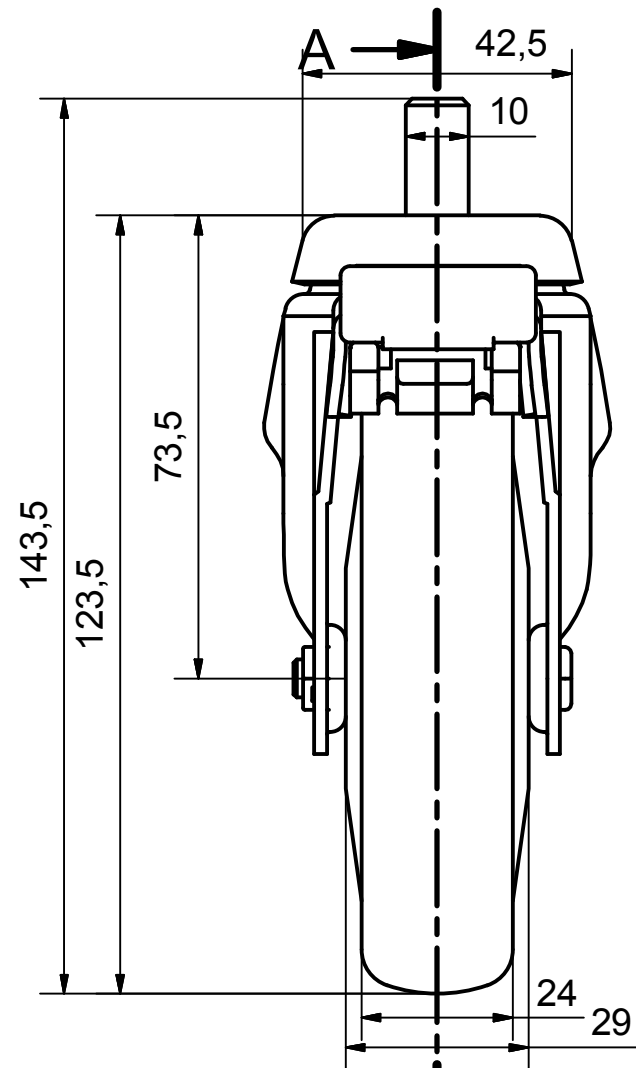
C

B

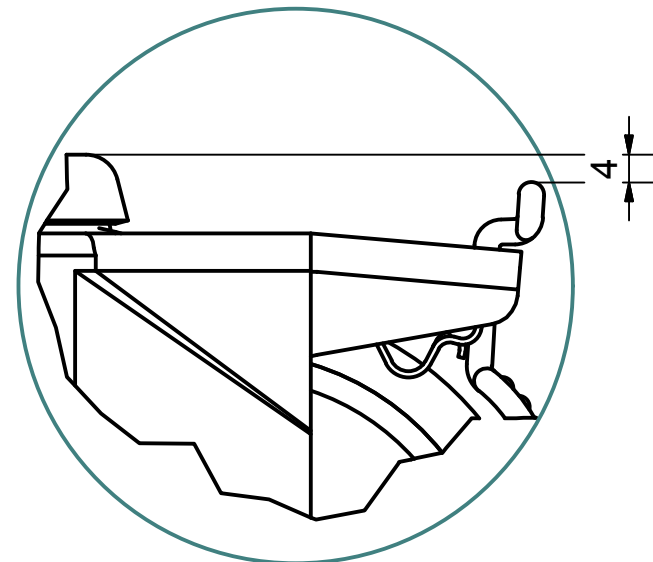
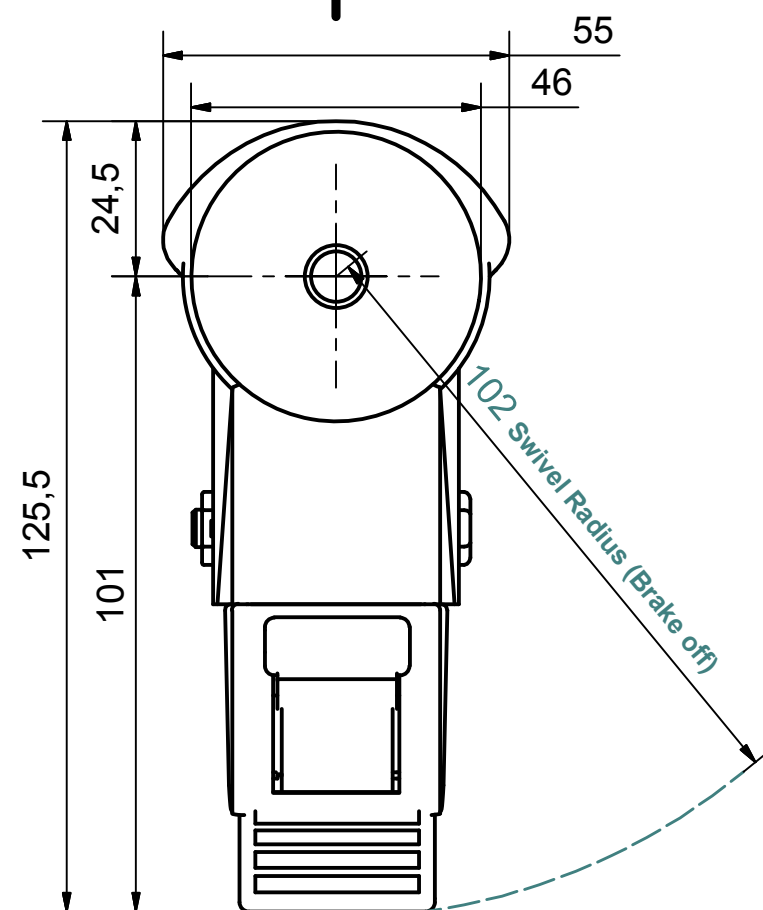
B

A


A



Load Capacity: 70kg, for speed up to 4km/h  
(According to EN 12530)



DETAIL i (Brake on)

 PRODUCTION OF INSTITUTIONAL CASTORS AND WHEELS THESSALONIKI - GREECE This drawing is the property of RODA S.A. It must neither be reproduced in any manner nor shall it be submitted to third parties or competitors without our written consent	PERMIS. VARIATIONS:		PART No:	
	SURFACE FINISH:		UNF . DIM.:	
DESIGNED 10/7/2013 E.POLIMEROPOULOU DRAWN 10/7/2013 E.POLIMEROPOULOU CHECKED 10/7/2013 H.SAATSOGLOU			PART NAME : <b>M.100.TPA.BSBKG</b>	
C3 B2 A1 A/A			PART DESCRIPTION : <b>Swivel+brake castor, steel support, bolt stem M10X20mm.Wheel 100x24mm,non marking grey rubber (82shA) plain bearing,steel threa</b>	
QUANTITY REPLACE :		SCALE		DRAWING NUMBER :
SHEET No.		GEN. DWG. NUM. :		

6 5 4 3 2 1