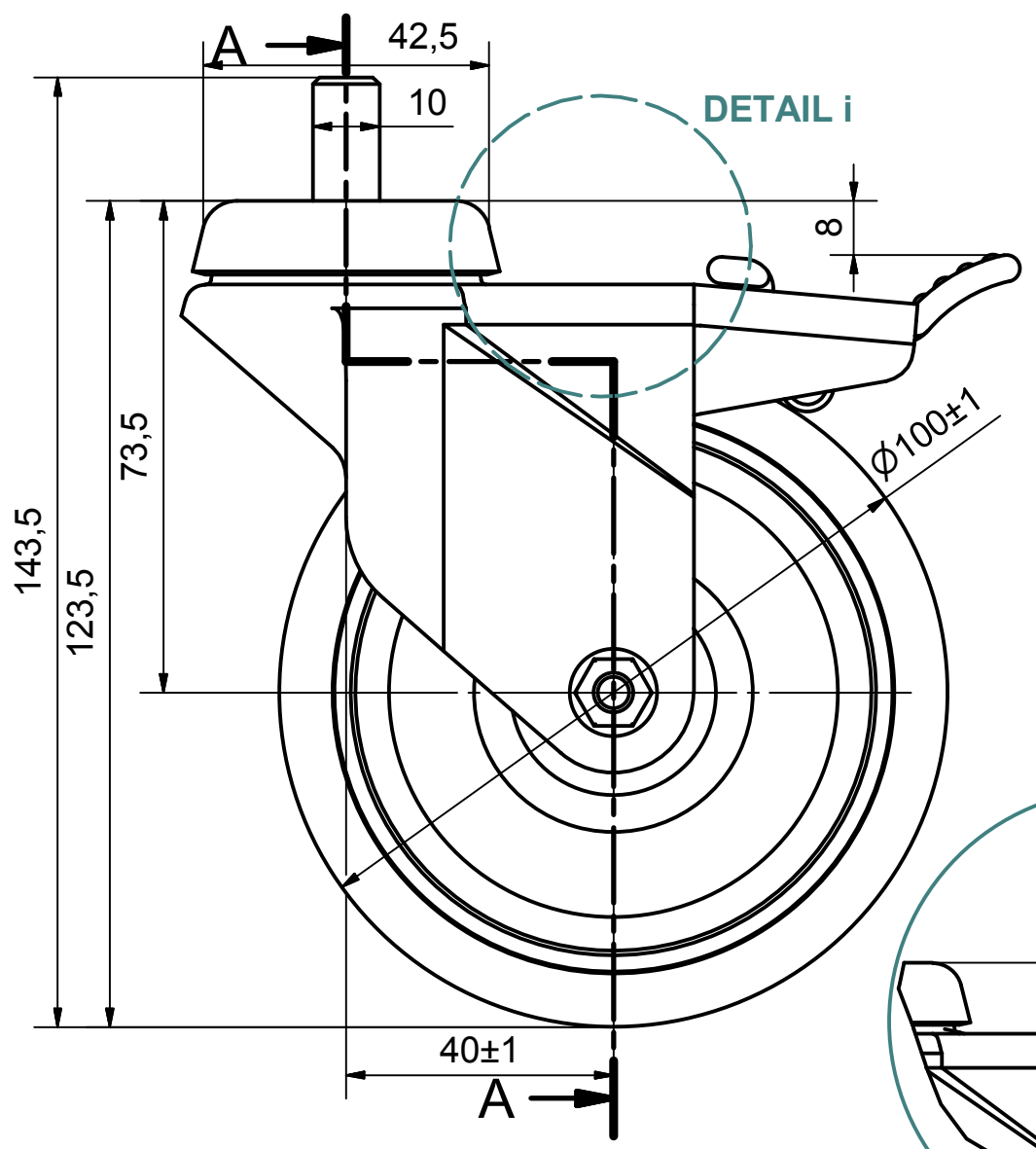
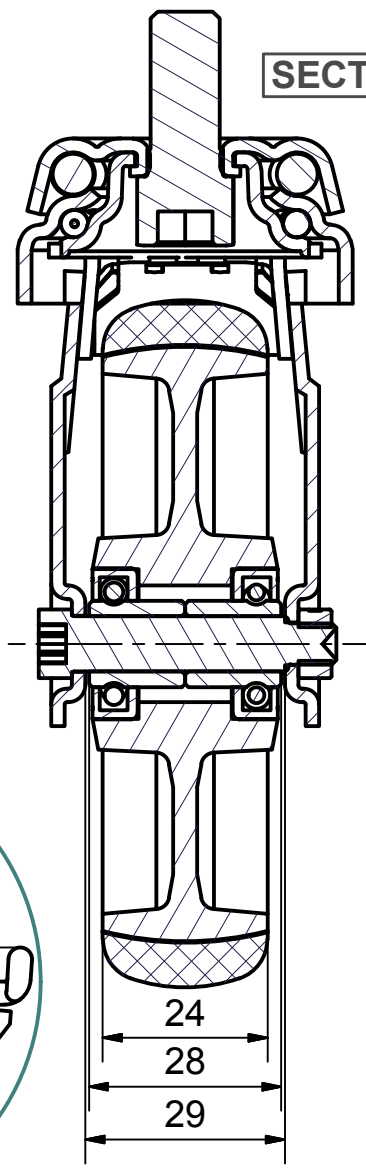
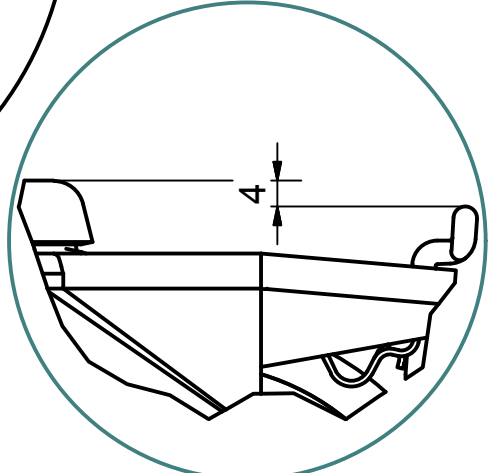


6 5 4 3 2 1

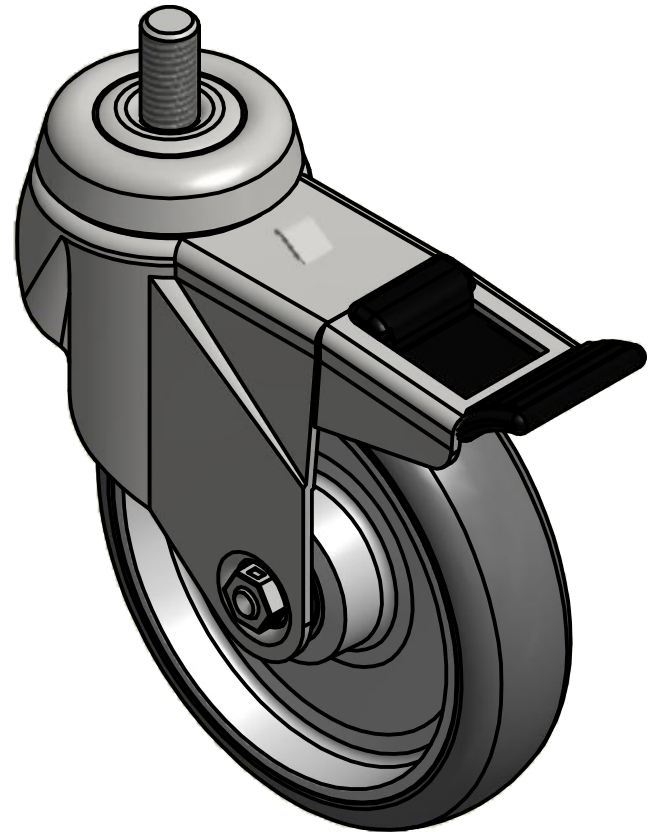
D  
C  
B  
A



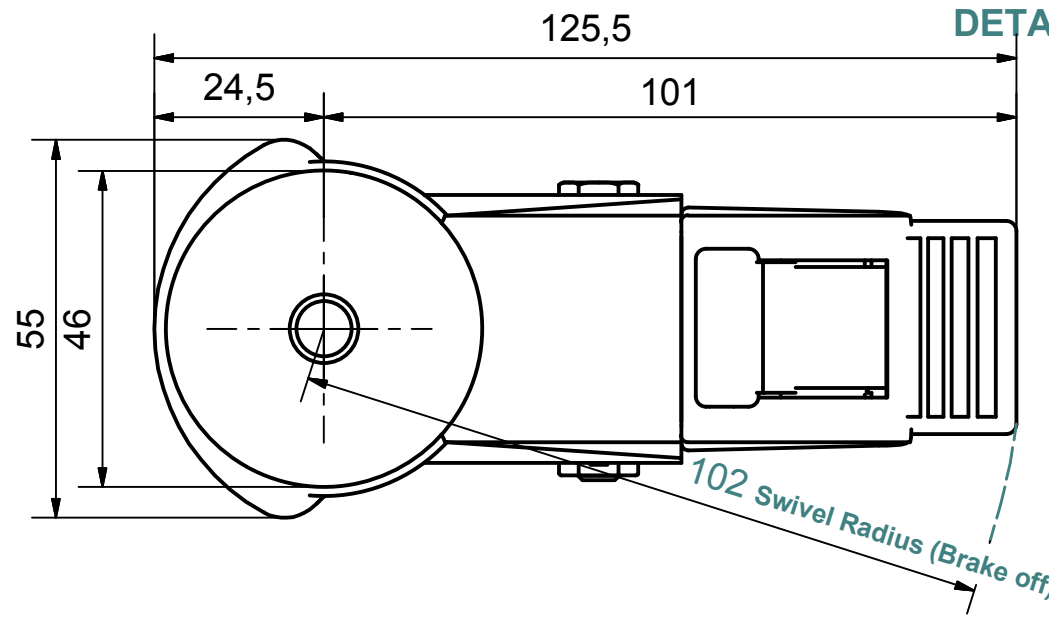
DETAIL i




SECTION A-A'



Load Capacity: 70kg, for speed up to 4km/h  
(According to EN 12530)



DETAIL i (Brake on)

 PRODUCTION OF INSTITUTIONAL CASTORS AND WHEELS THESSALONIKI - GREECE	PERMIS. VARIATIONS:		PART No:
	SURFACE FINISH :		UNF . DIM.:
This drawing is the property of RODA S.A. It must neither be reproduced in any manner nor shall it be submitted to third parties or competitors without our written consent	DESIGNED	10/7/2013	E.POLIMEROPOULOU
	DRAWN	10/7/2013	E.POLIMEROPOULOU
	CHECKED	10/7/2013	H.SAATSOGLU
PART DESCRIPTION :			PART NAME :
Swivel+brake castor, steel support, bolt stem M10X20mm.Wheel 100x24mm,non marking grey rubber (82shA) double ball bearings			<b>M.100.TPC.BSBK</b>
DRAWING NUMBER :			SHEET No.
GEN. DWG. NUM. :			
C3	QUANTITY	SCALE	
B2	REPLACE :		
A1			
A/A			

6 5 4 3 2 1