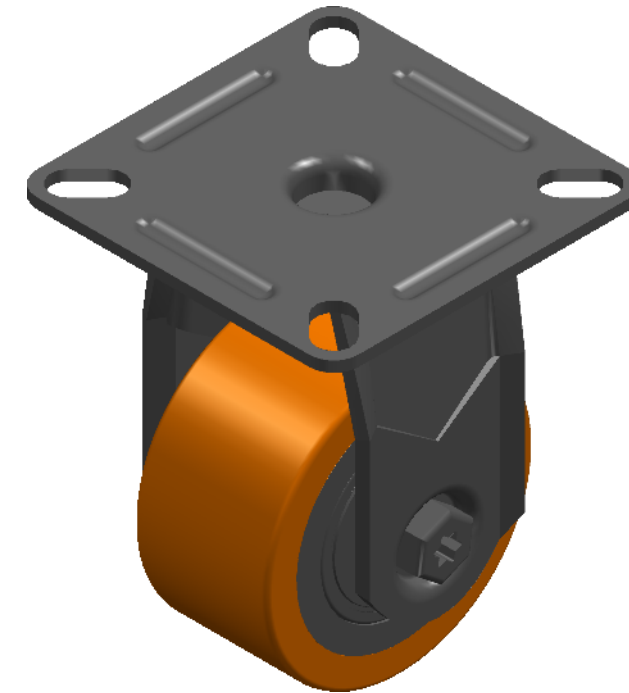
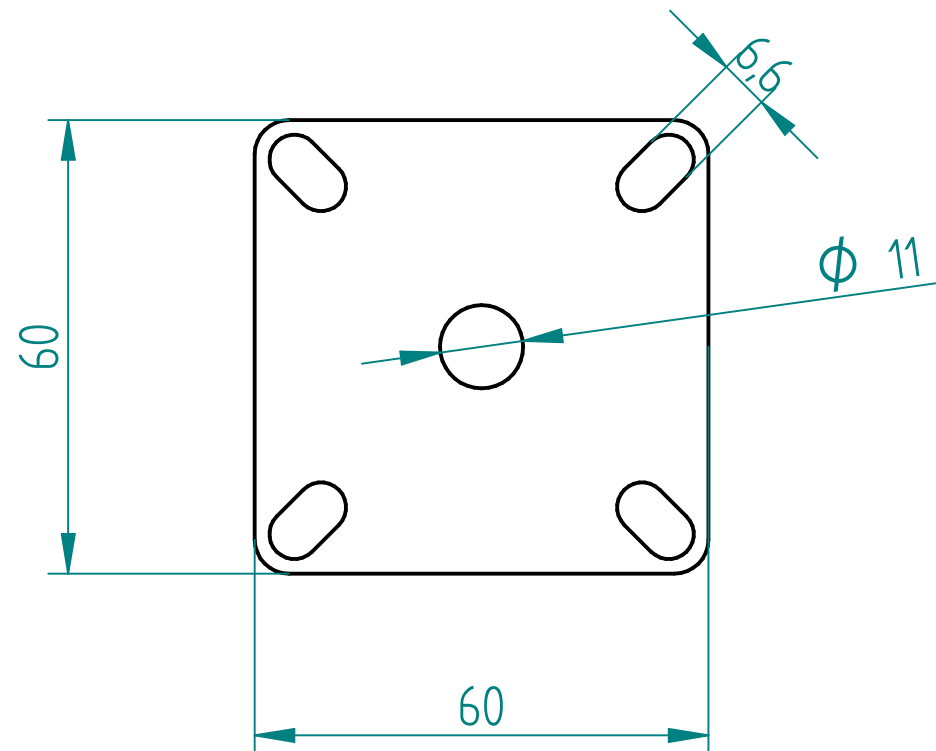
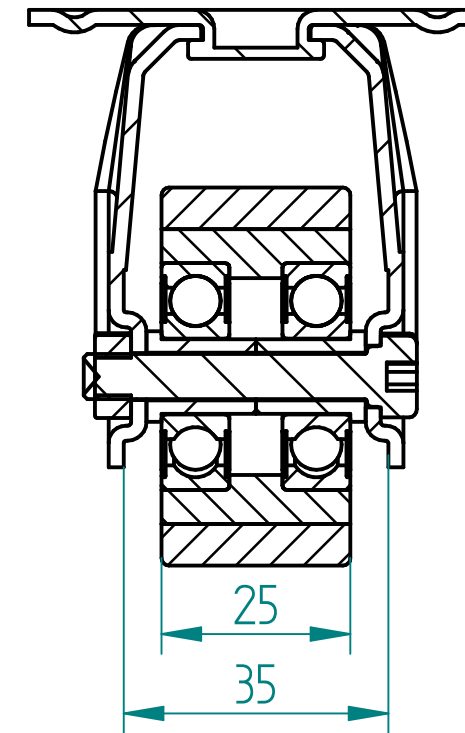



SECTION A-A



 <b>RODA</b> PRODUCTION OF INSTITUTIONAL AND INDUSTRIALCASTORS AND WHEELS THESSALONIKI - GREECE	PERMIS. VARIATIONS:		PART No.:	
	SURFACE FINISH:		UNF. DIM.:	
This drawing is the property of RODA S.A. It must neither be reproduced in any manner nor shall it be submitted to third parties or competitors without our written consent	DESIGNED	21/2/2023	MALINIS I.	PART DESCRIPTION : <b>M050XOSTF</b>
	DRAWN	21/2/2023	MALINIS I.	
	CHECKED	21/2/2023	SAATSOGLOU H.	
C3				DRAWING
B2				
A1				SHEET No.
A/A				
QUANTITY			1:1 SCALE	GEN. DWG. NUM. :
REPLACE				