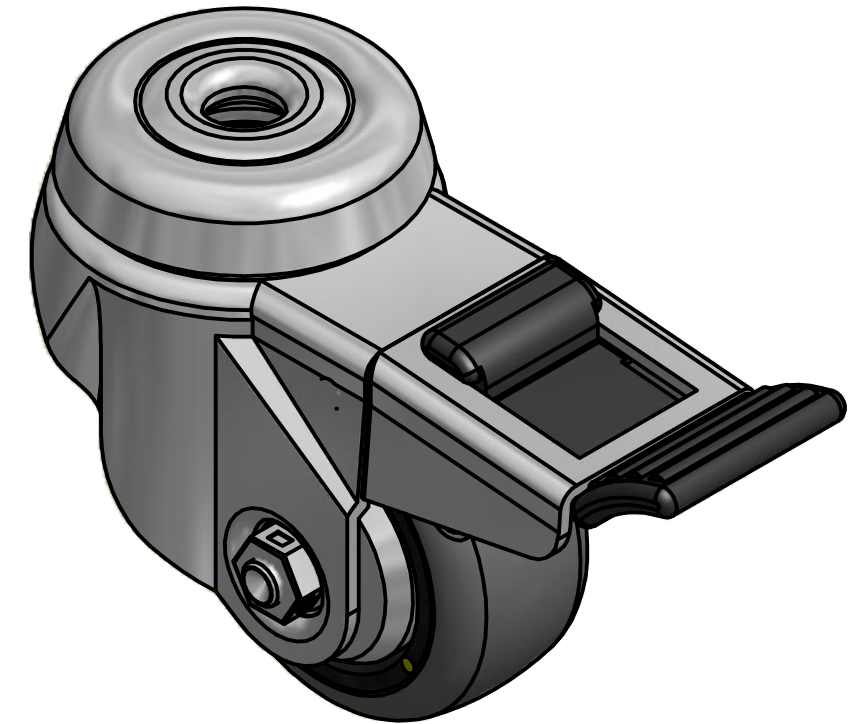
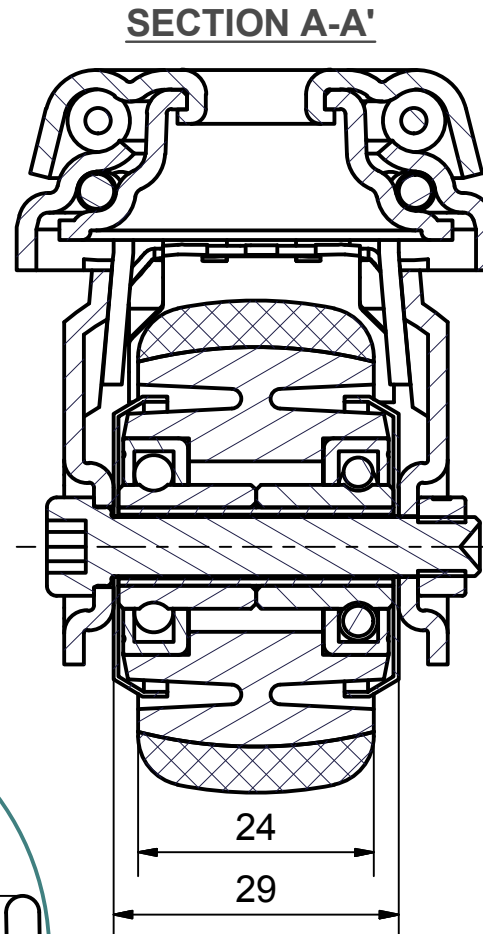
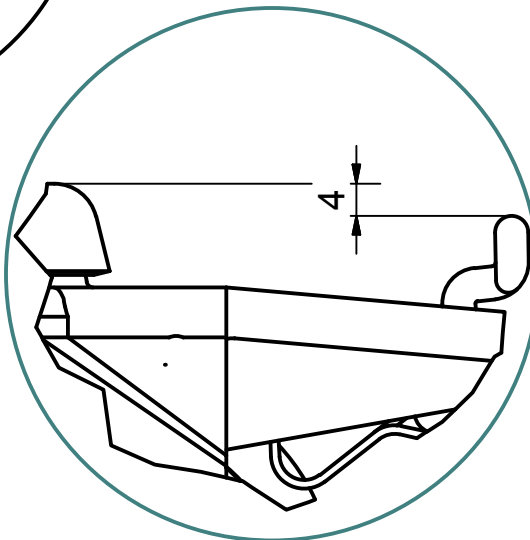


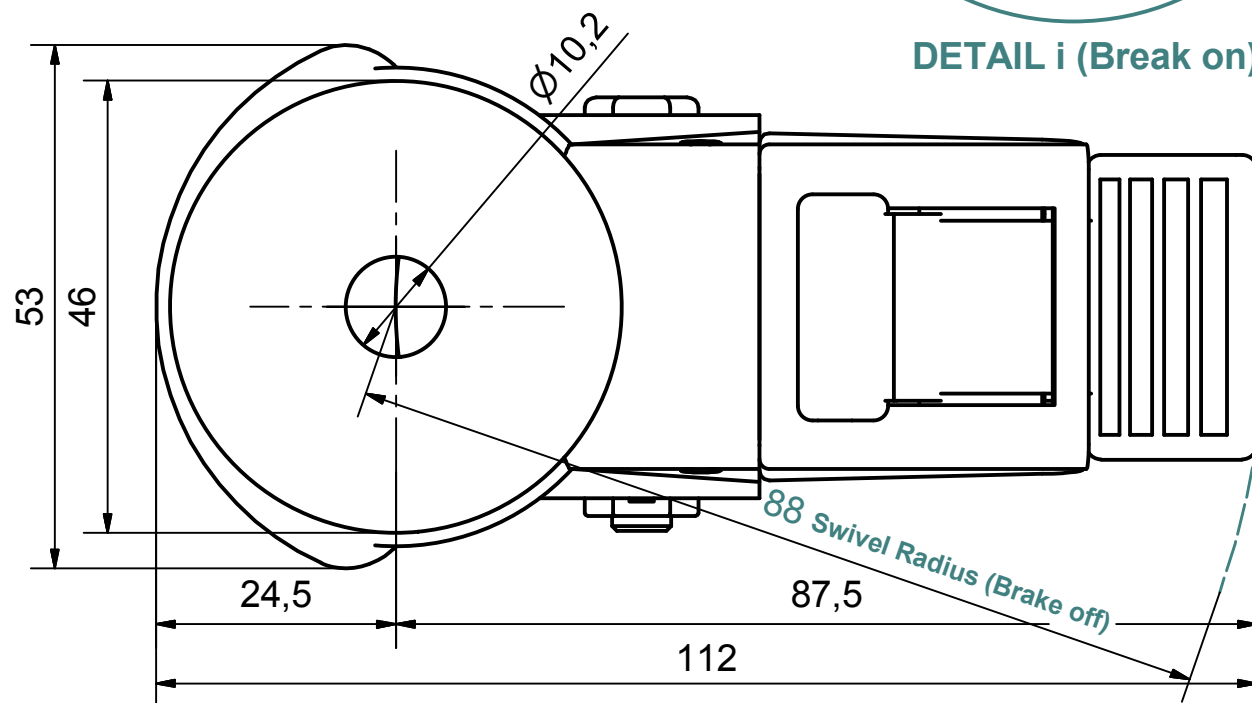
DETAIL i




Load Capacity: 50kg, for speed up to 4km/h
(According to EN 12530)



DETAIL i (Break on)



| | | | | |
|-----------------------------------------------------------------------------------------------------------------------------------------------------------------------------|---------------------|-----------|------------------|--------------------------------------------------------------------------------------------------------------------------------------------------------------|
|  PRODUCTION OF INSTITUTIONAL CASTORS AND WHEELS THESSALONIKI - GREECE | PERMIS. VARIATIONS: | | PART No: | |
| | SURFACE FINISH: | | UNF . DIM.: | |
| This drawing is the property of RODA S.A. It must neither be reproduced in any manner nor shall it be submitted to third parties or competitors without our written consent | DESIGNED | 27/6/2013 | E.POLIMEROPOULOU | PART DESCRIPTION : Swivel+brake castor, stainless support, bolt hole fitting (10,2mm).Wheel 50x24mm,electric conductive non marking grey rubber (8 |
| | DRAWN | 27/6/2013 | E.POLIMEROPOULOU | |
| | CHECKED | 27/6/2013 | H.SAATZOGLOU | |
| C3 | | | | DRAWING NUMBER : |
| B2 | | | | |
| A1 | | | | GEN. DWG. NUM. : |
| A/A | | | | |
| QUANTITY | | SCALE | | |
| REPLACE : | | | | |