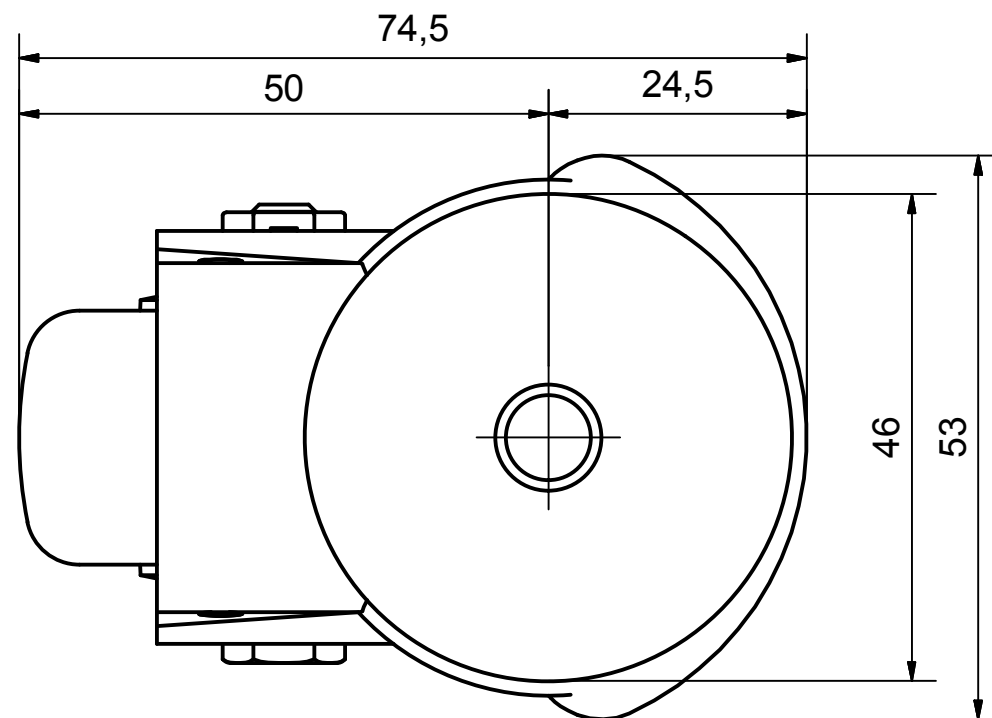



**Load Capacity: 50kg, for speed up to 4km/h  
(According to EN 12530)**



 PRODUCTION OF INSTITUTIONAL CASTORS AND WHEELS THESSALONIKI - GREECE	PERMIS. VARIATIONS:		PART No:
	SURFACE FINISH:		UNF . DIM.:
This drawing is the property of RODA S.A. It must neither be reproduced in any manner nor shall it be submitted to third parties or competitors without our written consent	DESIGNED	26/6/2013	E.POLIMEROPOULOU
	DRAWN	26/6/2013	E.POLIMEROPOULOU
	CHECKED	26/6/2013	H.SAATZOGLU
PART DESCRIPTION :			PART NAME :
<b>Swivel castor, stainless support, bolt stem M10X20mm.Wheel 50x24mm,non marking grey rubber (82shA) double ball bearings</b>			<b>MX.050.TPC.BS</b>
DRAWING NUMBER :		QUANTITY	SCALE
SHEET No.		REPLACE :	GEN. DWG. NUM. :