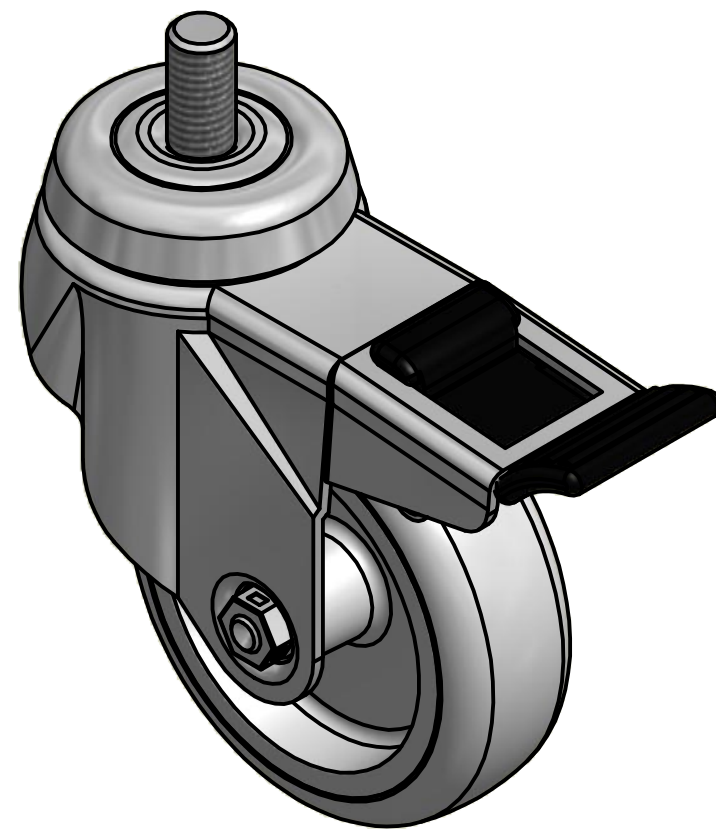
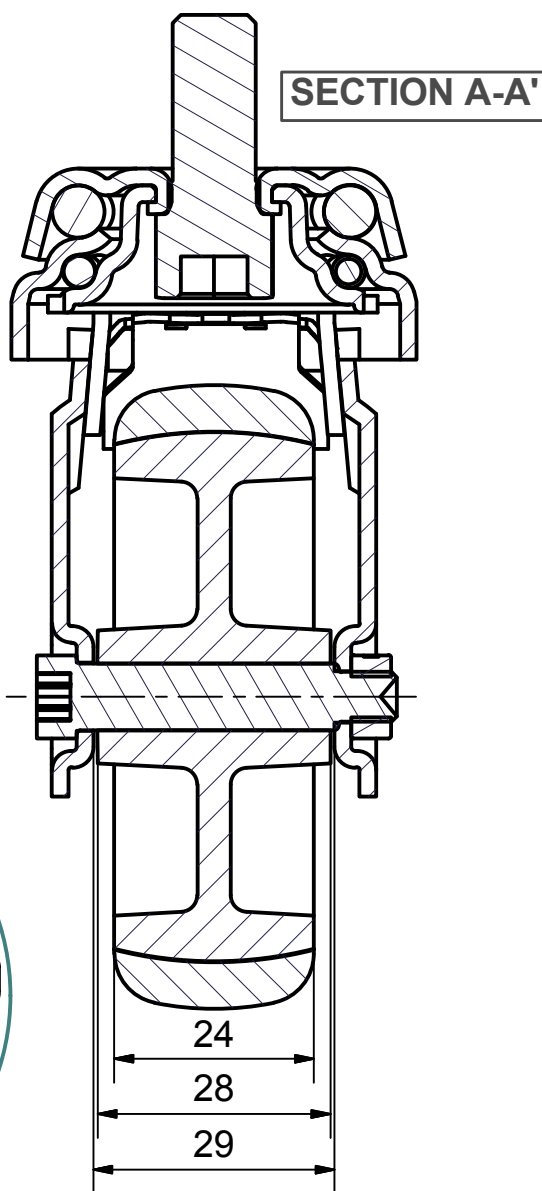
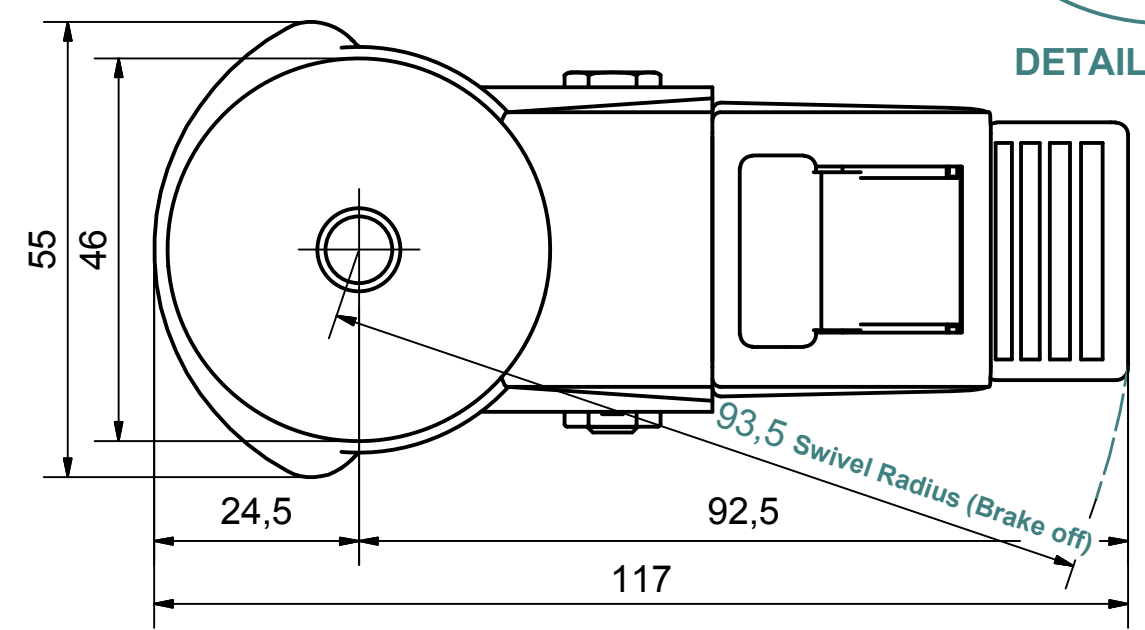



DETAIL i (Brake on)



Load Capacity: 60kg, for speed up to 4km/h  
(According to EN 12530)



93,5 Swivel Radius (Brake off)

	PRODUCTION OF INSTITUTIONAL CASTORS AND WHEELS		PERMIS. VARIATIONS:	PART No:
	THESSALONIKI - GREECE		SURFACE FINISH:	UNF . DIM.:
This drawing is the property of RODA S.A. It must neither be reproduced in any manner nor shall it be submitted to third parties or competitors without our written consent			DESIGNED 4/7/2013 E.POLIMEROPOULOU DRAWN 4/7/2013 E.POLIMEROPOULOU CHECKED 4/7/2013 H.SAATZOGLU	PART NAME : <b>MX.075.NNA.BSBK</b>
C3 B2 A1 A/A	QUANTITY REPLACE :	SCALE	PART DESCRIPTION : <b>Swivel+brake castor, stainless support, bolt stem M10X20mm.Wheel 75x24mm,white polyamide plain bearing</b>	
			DRAWING NUMBER :	SHEET No.
			GEN. DWG. NUM. :	