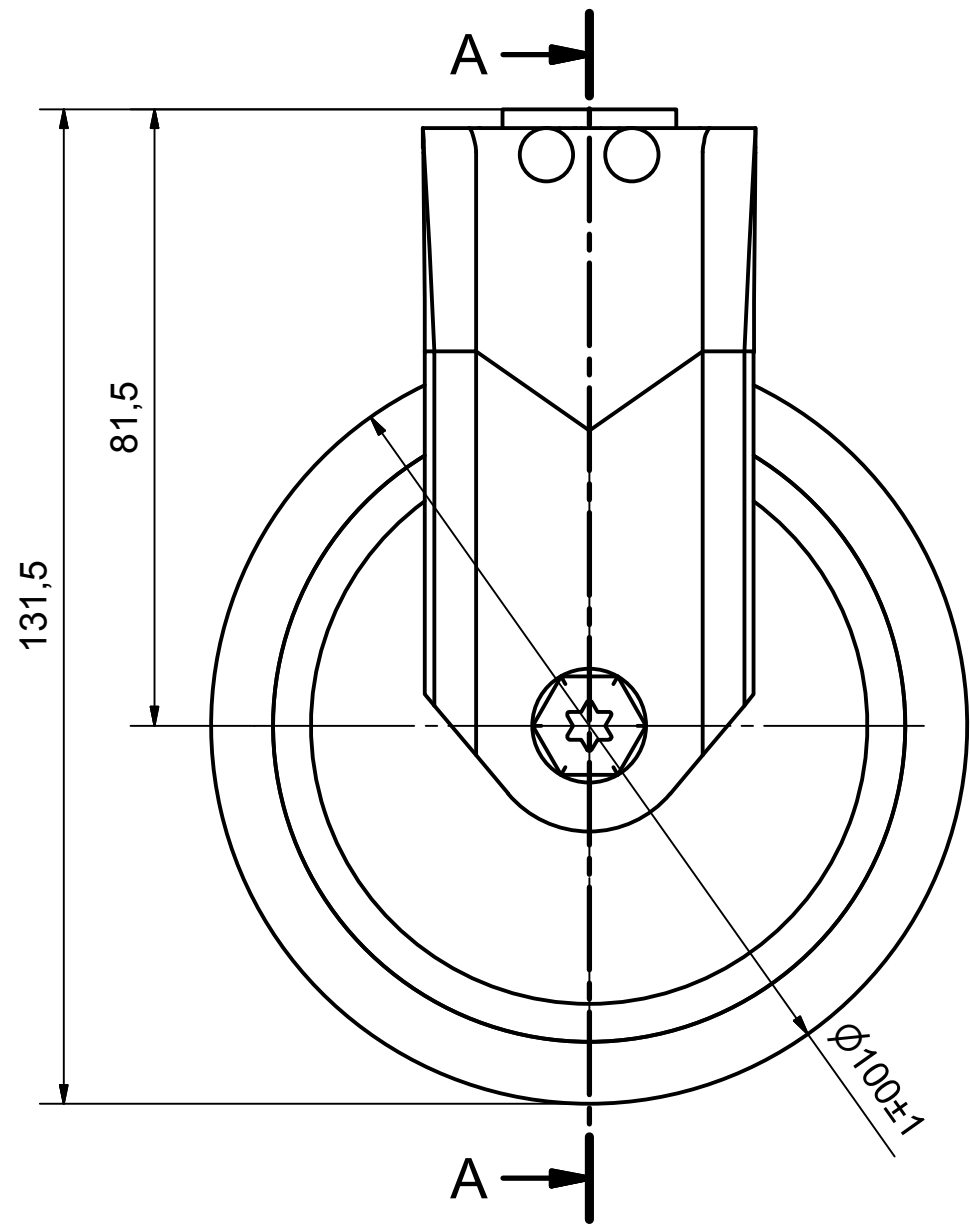
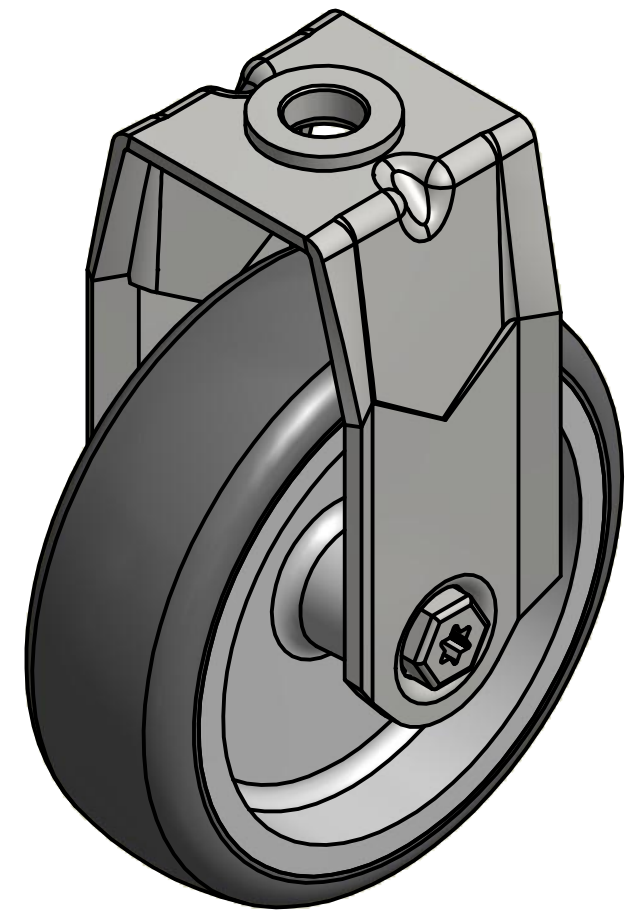
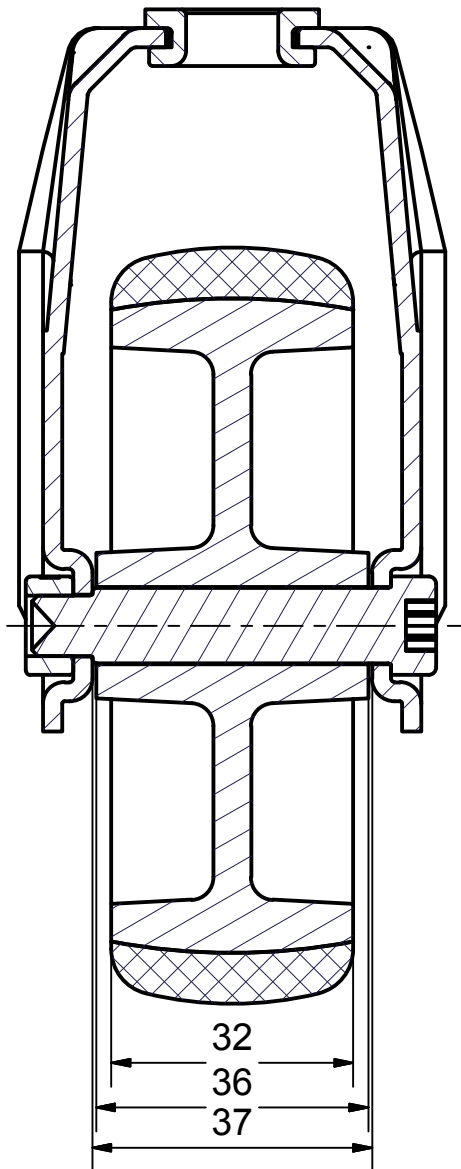


6 5 4 3 2 1

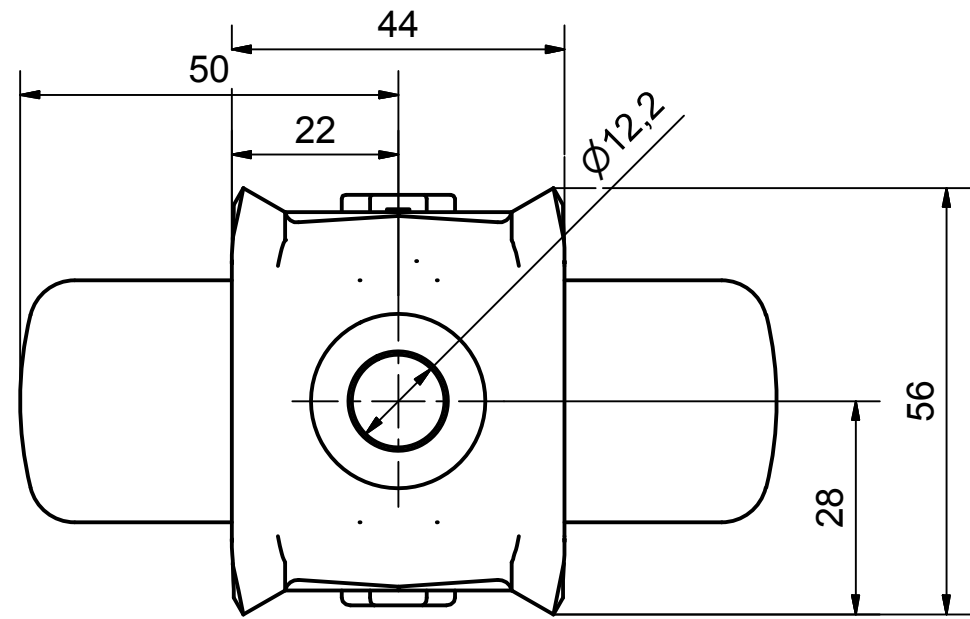
D C B A




SECTION A-A'



Load Capacity: 90kg, for speed up to 4km/h
(According to EN 12530)



	PRODUCTION OF INSTITUTIONAL CASTORS AND WHEELS THESSALONIKI - GREECE	PERMIS. VARIATIONS:		PART No:	
		SURFACE FINISH :		UNF . DIM.:	
This drawing is the property of RODA S.A. It must neither be reproduced in any manner nor shall it be submitted to third parties or competitors without our written consent		DESIGNED 23/7/2013 E.POLIMEROPOULOU	PART NAME : S.100.TPA.HF		
		DRAWN 23/7/2013 E.POLIMEROPOULOU	PART DESCRIPTION : Fixed castor, steel support, bolt hole fitting (12,2mm).Wheel 100x32mm,non marking grey rubber (82shA) plain bearing		
		CHECKED 23/7/2013 H.SAATSOGLOU	DRAWING NUMBER :		SHEET No.
C3 B2 A1 A/A		QUANTITY REPLACE :	SCALE	GEN. DWG. NUM. :	

6 5 4 3 2 1