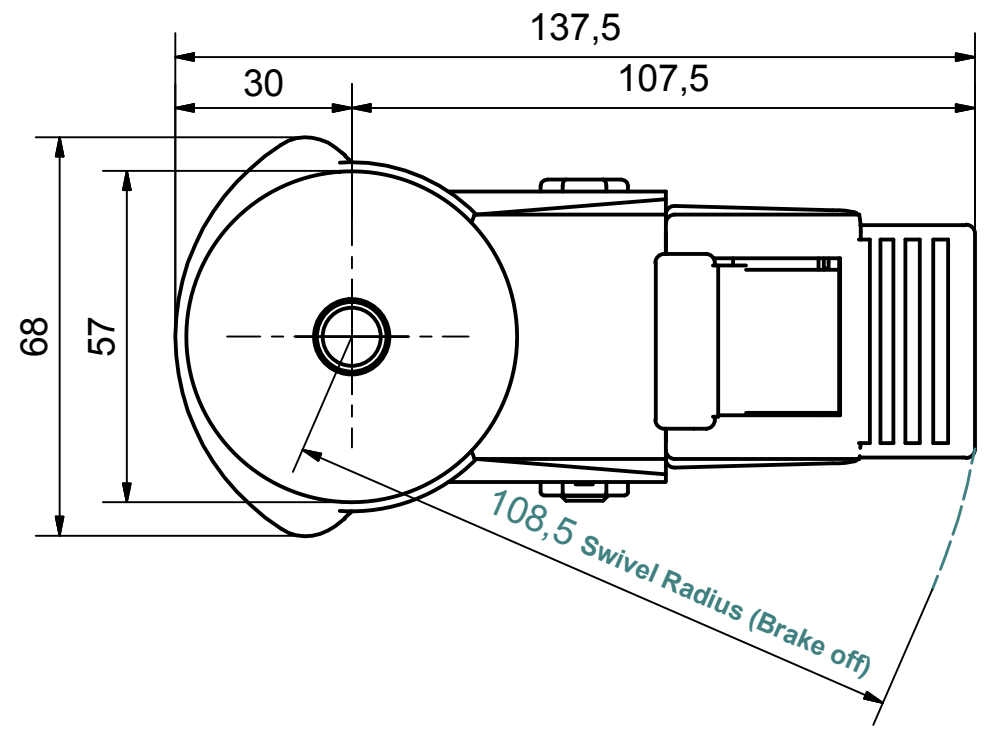



Load Capacity: 100kg, for speed up to 4km/h
(According to EN 12530)



 PRODUCTION OF INSTITUTIONAL CASTORS AND WHEELS THESSALONIKI - GREECE	PERMIS. VARIATIONS:		PART No:
	SURFACE FINISH :		UNF . DIM.:
This drawing is the property of RODA S.A. It must neither be reproduced in any manner nor shall it be submitted to third parties or competitors without our written consent	DESIGNED	29/7/2013	E.POLIMEROPOULOU
	DRAWN	29/7/2013	E.POLIMEROPOULOU
	CHECKED	29/7/2013	H.SAATSOGLOU
PART NAME : S.125.TPA.BSBKG			PART DESCRIPTION : Swivel+brake castor, steel support, bolt stem M12X25mm.Wheel 125x32mm,non marking grey rubber (82shA) plain bearing,steel threa
DRAWING NUMBER :			SHEET No.
QUANTITY SCALE		GEN. DWG. NUM. :	
REPLACE :			