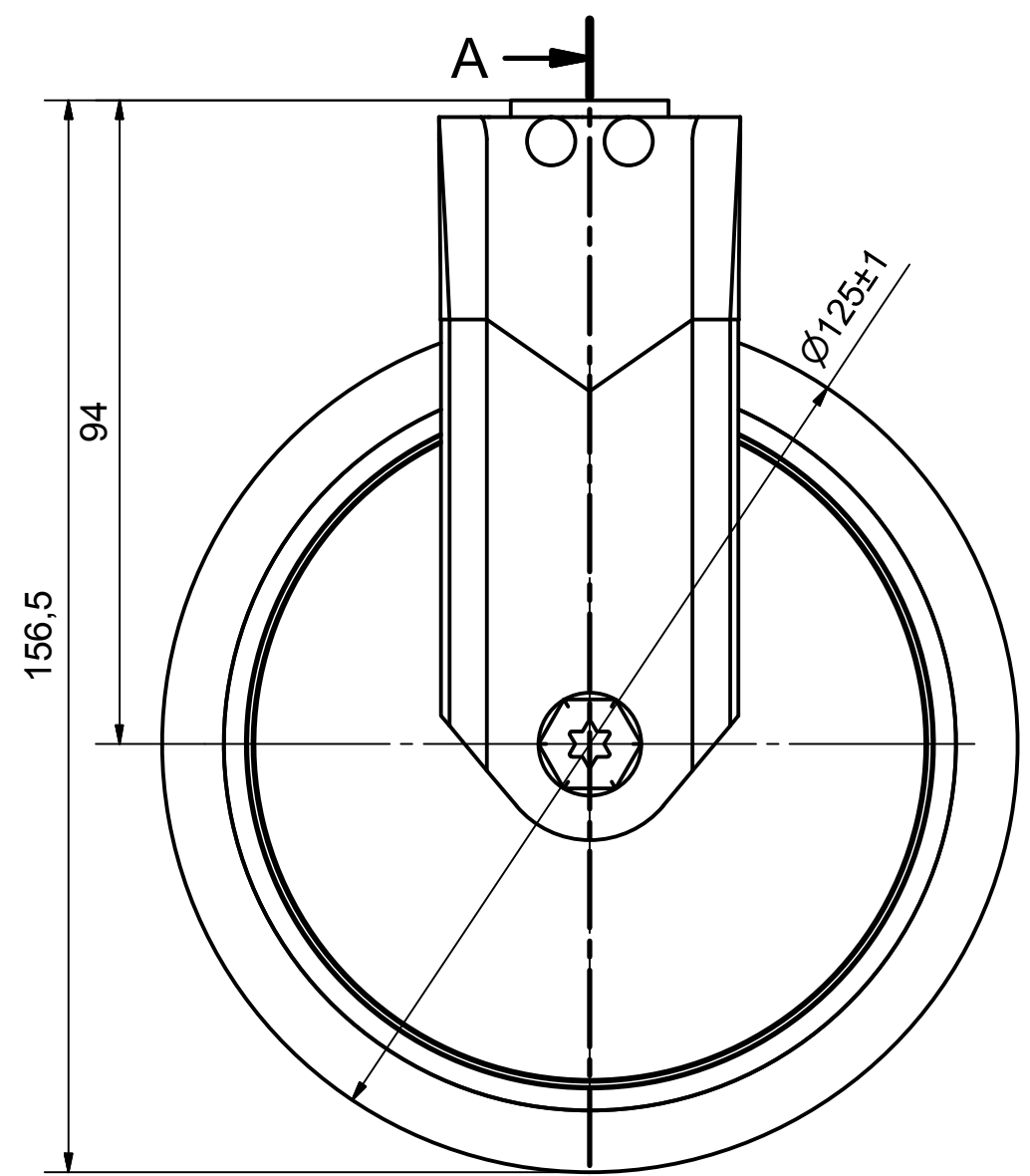
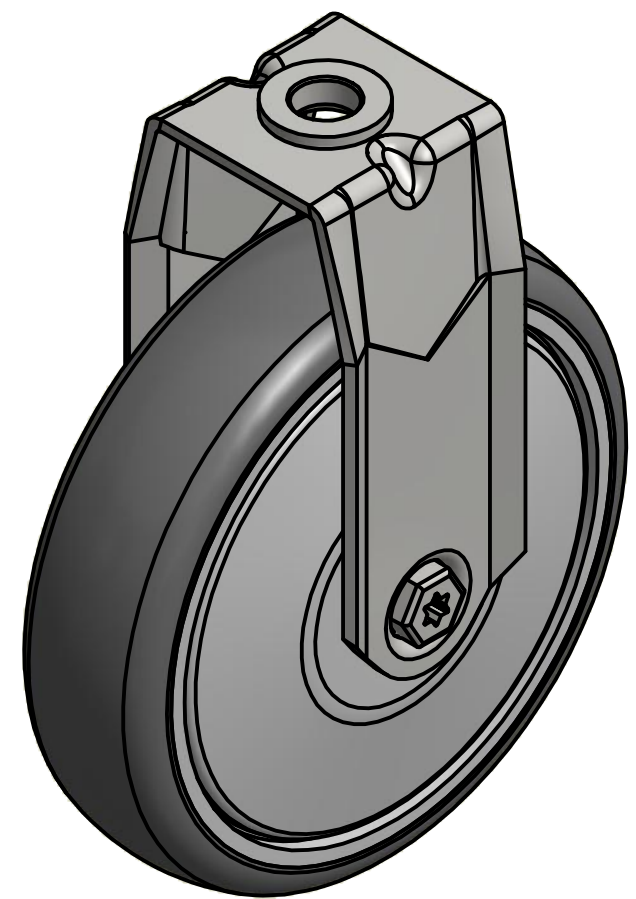
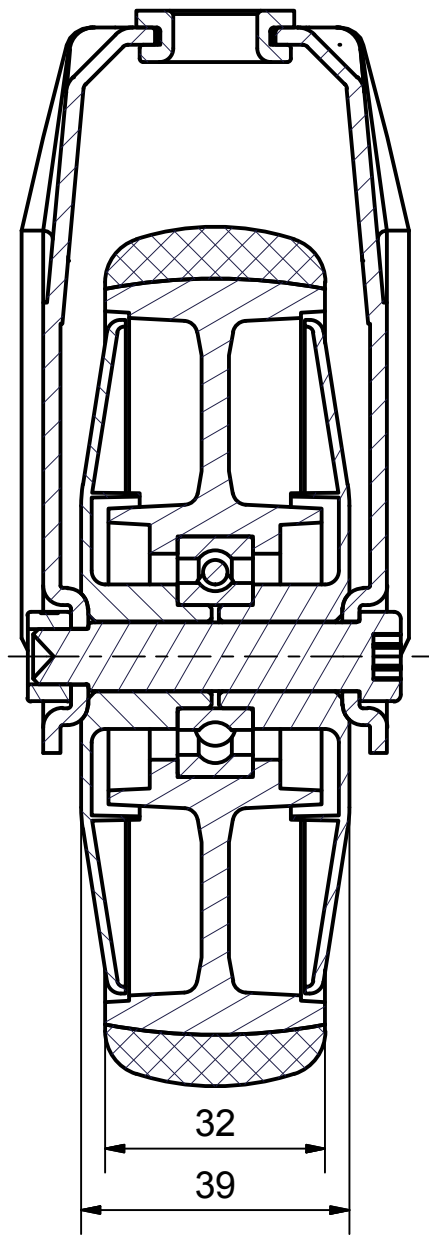


6 5 4 3 2 1

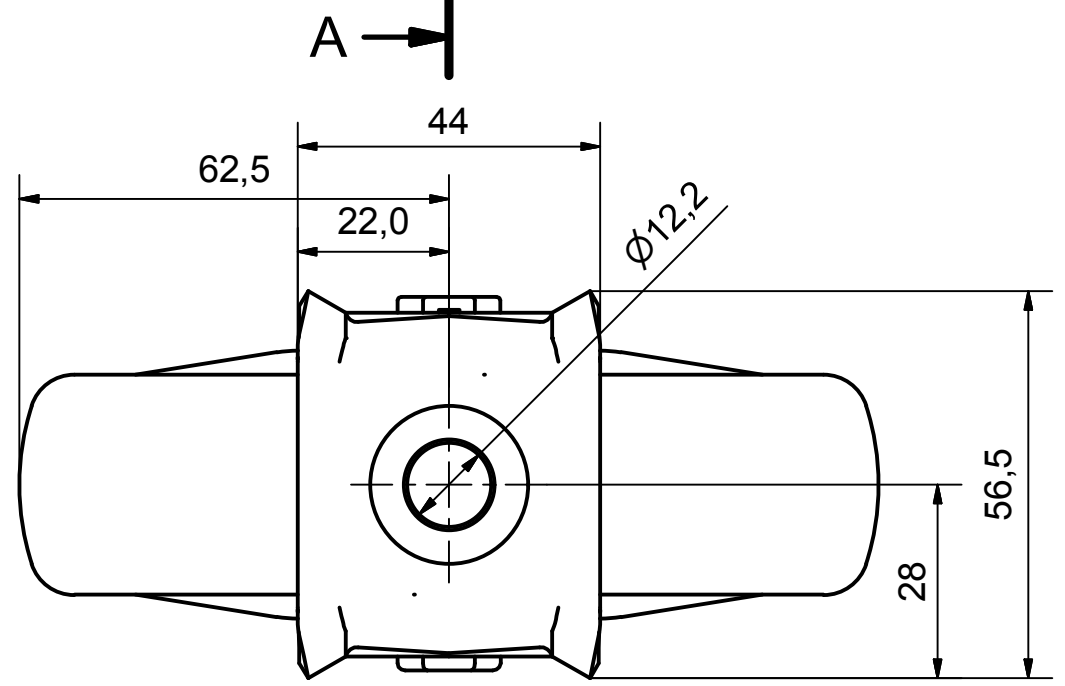
D
C
B
A



SECTION A-A'




Load Capacity: 100kg, for speed up to 4km/h
(According to EN 12530)



6 5 4 3 2 1

D
C
B
A

| | | | |
|---|---------------------|------------------|---|
|  PRODUCTION OF INSTITUTIONAL CASTORS AND WHEELS THESSALONIKI - GREECE | PERMIS. VARIATIONS: | | PART No: |
| | SURFACE FINISH : | | UNF . DIM.: |
| This drawing is the property of RODA S.A. It must neither be reproduced in any manner nor shall it be submitted to third parties or competitors without our written consent | DESIGNED | 29/7/2013 | E.POLIMEROPOULOU |
| | DRAWN | 29/7/2013 | E.POLIMEROPOULOU |
| | CHECKED | 29/7/2013 | H.SAATSOGLOU |
| | | | PART NAME : S.125.TPS.HFGP |
| | | | PART DESCRIPTION : Fixed castor, steel support, bolt hole fitting (12,2mm).Wheel 125x32mm,non marking grey rubber (82shA) single precision bearing |
| C3 | | | DRAWING NUMBER : |
| B2 | | | SHEET No. |
| A1 | | | |
| A/A | | | |
| QUANTITY | | SCALE | |
| REPLACE : | | GEN. DWG. NUM. : | |

A