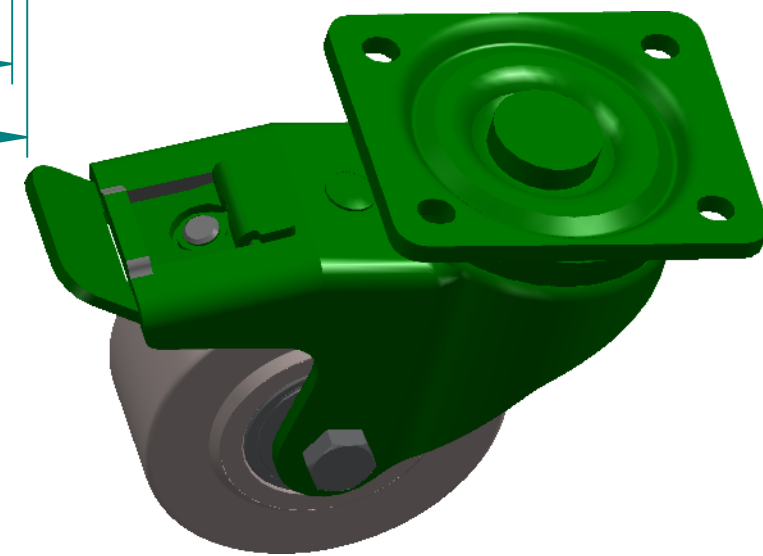
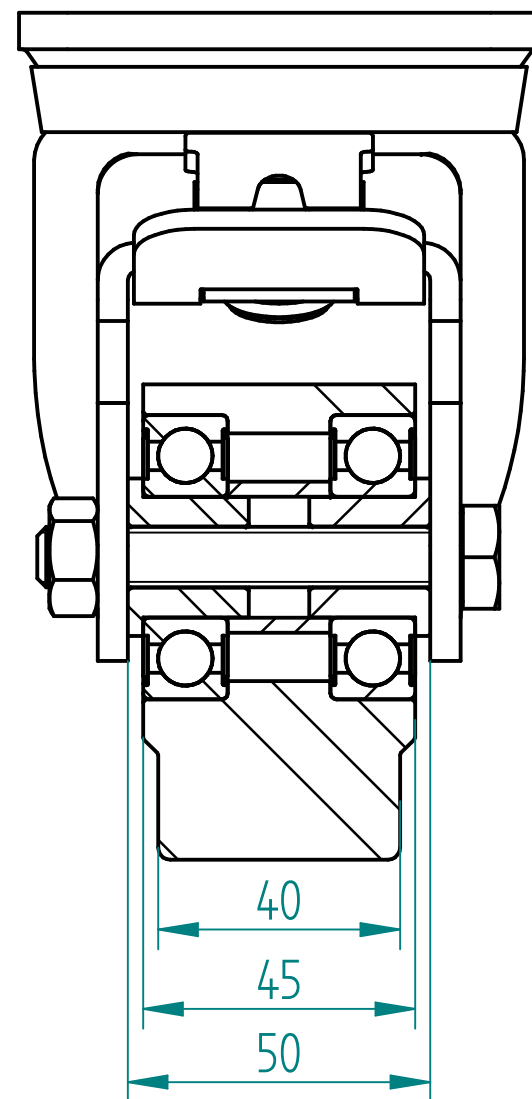



SECTION A-A



 RODA PRODUCTION OF INSTITUTIONAL AND INDUSTRIALCASTORS AND WHEELS THESSALONIKI - GREECE	PERMIS. VARIATIONS:	PART No:		
	SURFACE FINISH:	UNF. DIM.:		
This drawing is the property of RODA S.A. It must neither be reproduced in any manner nor shall it be submitted to third parties or competitors without our written consent	DESIGNED 14/7/2021 MALINIS I.	MATERIAL:		
	DRAWN 14/7/2021 MALINIS I.	PART DESCRIPTION :		
	CHECKED 14/7/2021 SAATSOGLOU H.	SNHRD100NHDSPF2		
C3		QUANTITY 1:25 SCALE	DRAWING	SHEET No.
B2				
A1				
A/A				
REPLACE		GEN. DWG. NUM. :		