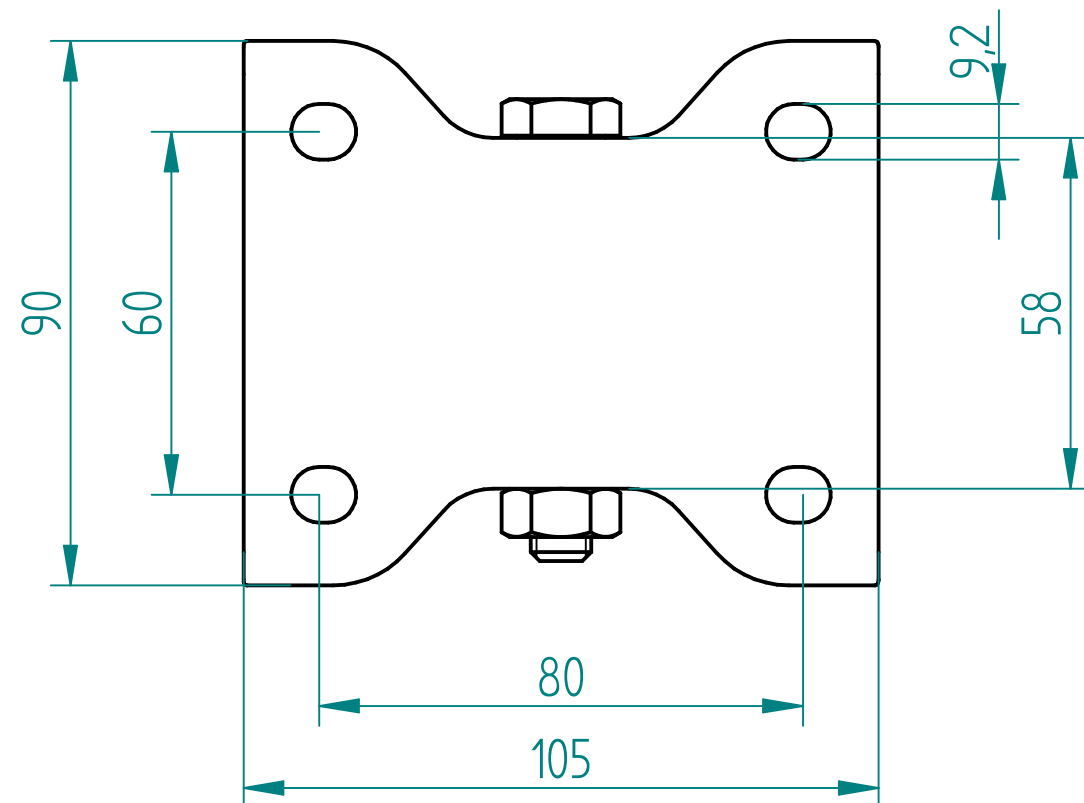
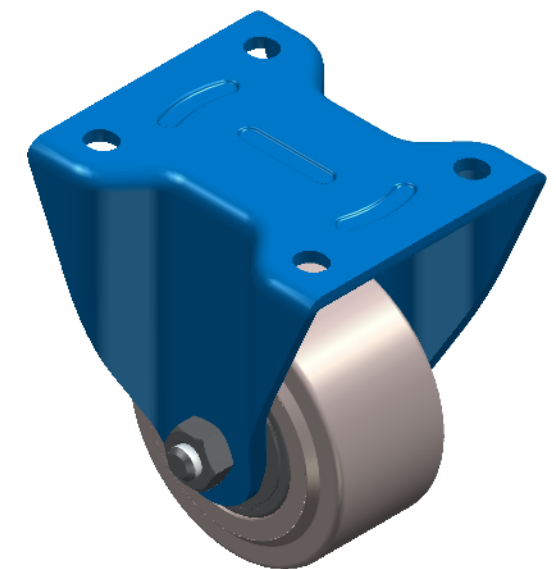
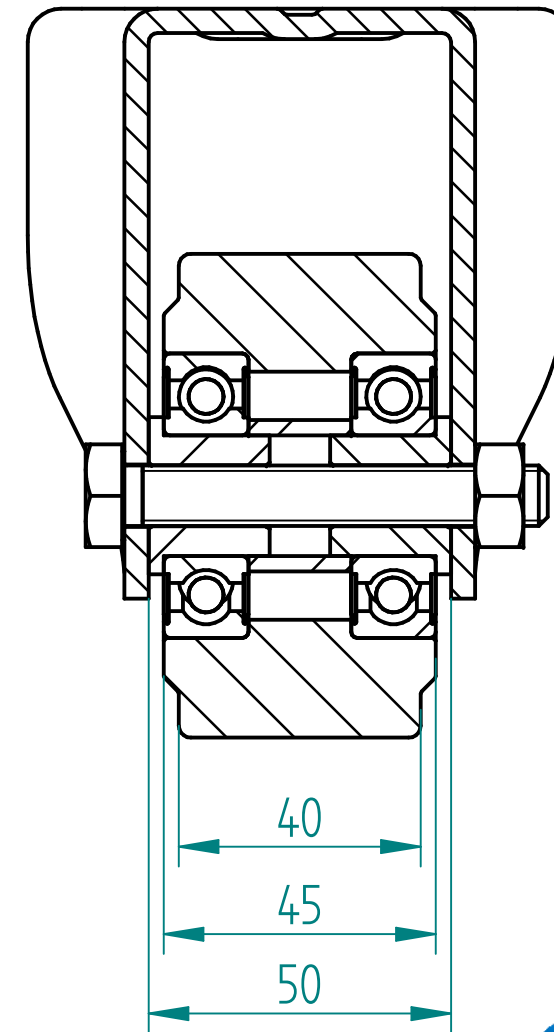



SECTION A-A



| | | | |
|---|---------------------|-----------|---|
|  RODA PRODUCTION OF INSTITUTIONAL AND INDUSTRIALCASTORS AND WHEELS THESSALONIKI - GREECE | PERMIS. VARIATIONS: | | PART No.: |
| | SURFACE FINISH: | | UNF. DIM.: |
| This drawing is the property of RODA S.A. It must neither be reproduced in any manner nor shall it be submitted to third parties or competitors without our written consent | DESIGNED | 14/7/2021 | MALINIS I. |
| | DRAWN | 14/7/2021 | MALINIS I. |
| | CHECKED | 14/7/2021 | SAATSOGLU H. |
| | | | MATERIAL: |
| | | | PART DESCRIPTION : SNHRD80NHDSS |
| C3 | | | |
| B2 | | | |
| A1 | | | |
| A/A | | | |
| QUANTITY | | 1:1,25 | DRAWING |
| REPLACE | | SCALE | SHEET No. |
| | | | GEN. DWG. NUM. : |