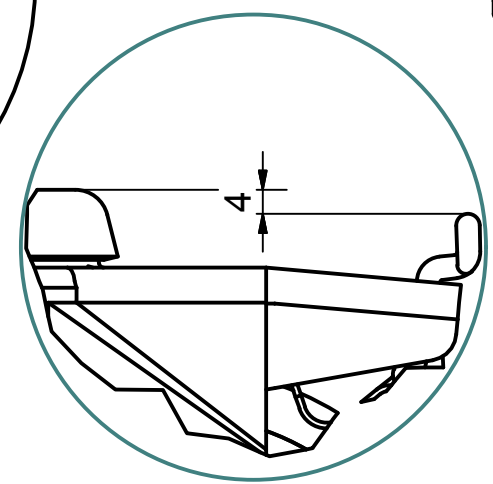
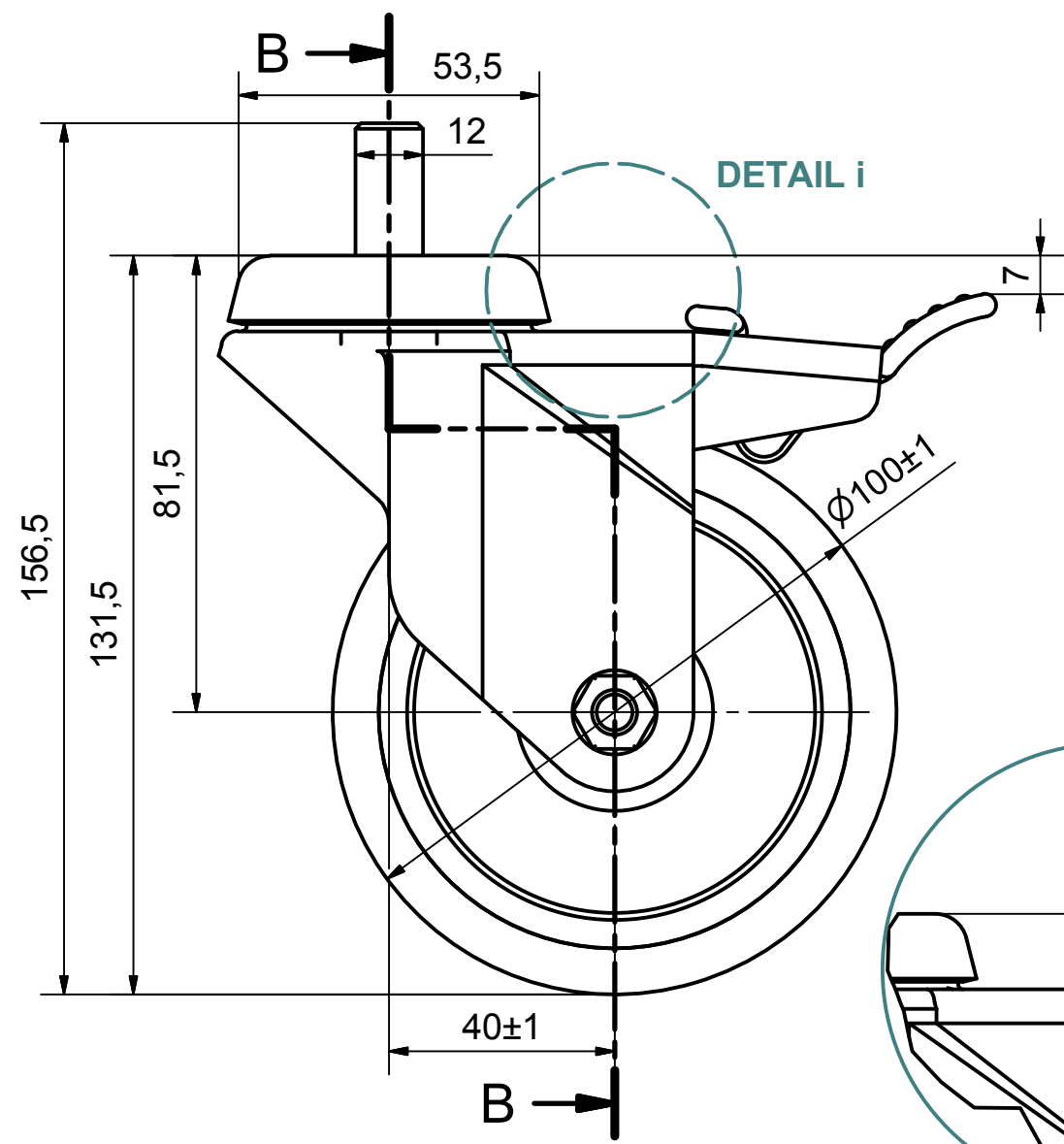
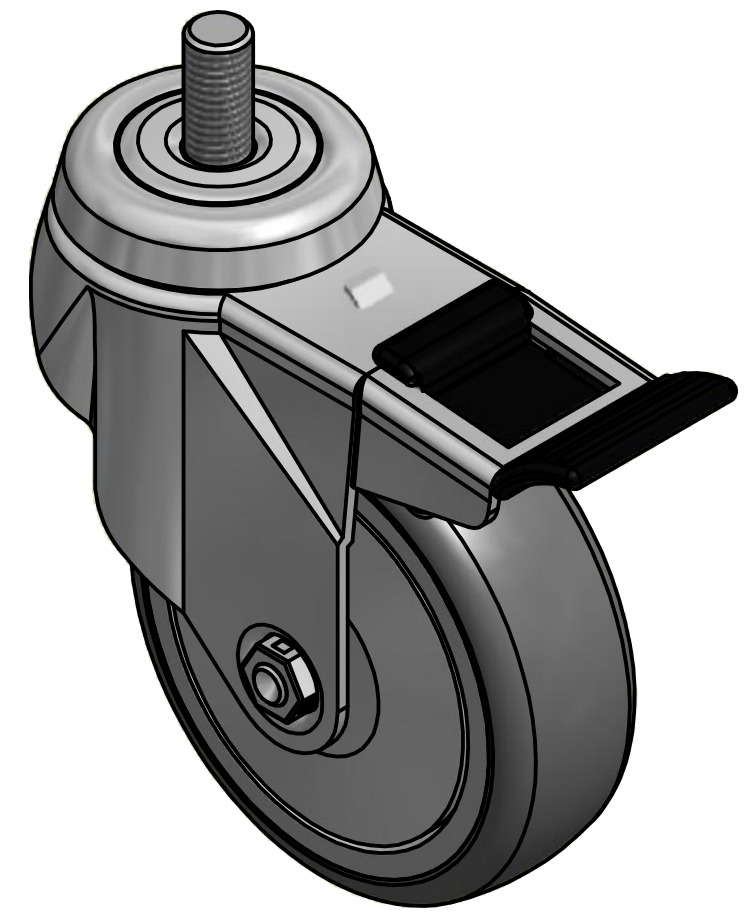
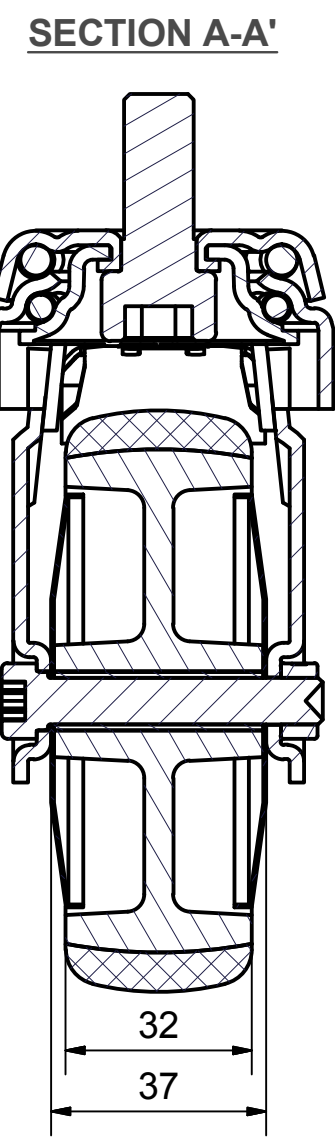


6 5 4 3 2 1

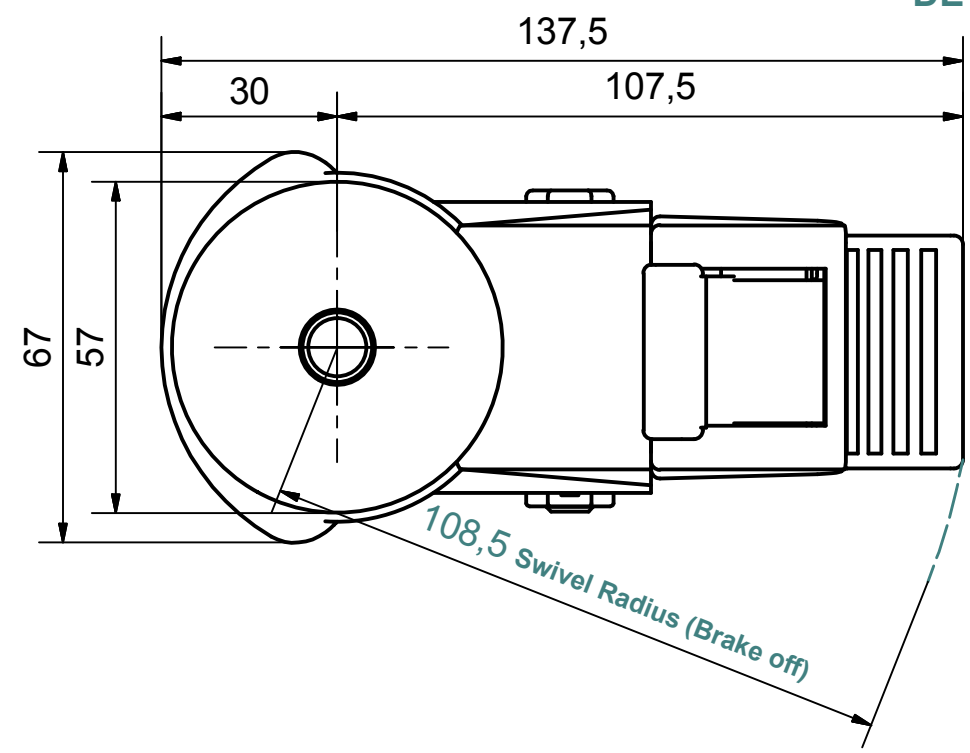
D C B A




DETAIL i (Brake on)



Load Capacity: 90kg, for speed up to 4km/h
(According to EN 12530)



 PRODUCTION OF INSTITUTIONAL CASTORS AND WHEELS THESSALONIKI - GREECE	PERMIS. VARIATIONS:		PART No:	
	SURFACE FINISH:		UNF . DIM.:	
This drawing is the property of RODA S.A. It must neither be reproduced in any manner nor shall it be submitted to third parties or competitors without our written consent	DESIGNED 24/7/2013 E.POLIMEROPOULOU	PART NAME : SX.100.TPA.BSBKGX		
	DRAWN 24/7/2013 E.POLIMEROPOULOU	PART DESCRIPTION : Swivel+brake castor, stainless support, bolt stem M12X25mm.Wheel 100x32mm,non marking grey rubber (82shA) plain bearing,stainle		
	CHECKED 24/7/2013 H.SAATSOGLOU	DRAWING NUMBER :		
C3 B2 A1 A/A	QUANTITY	SCALE	SHEET No.	
REPLACE :		GEN. DWG. NUM. :		

6 5 4 3 2 1