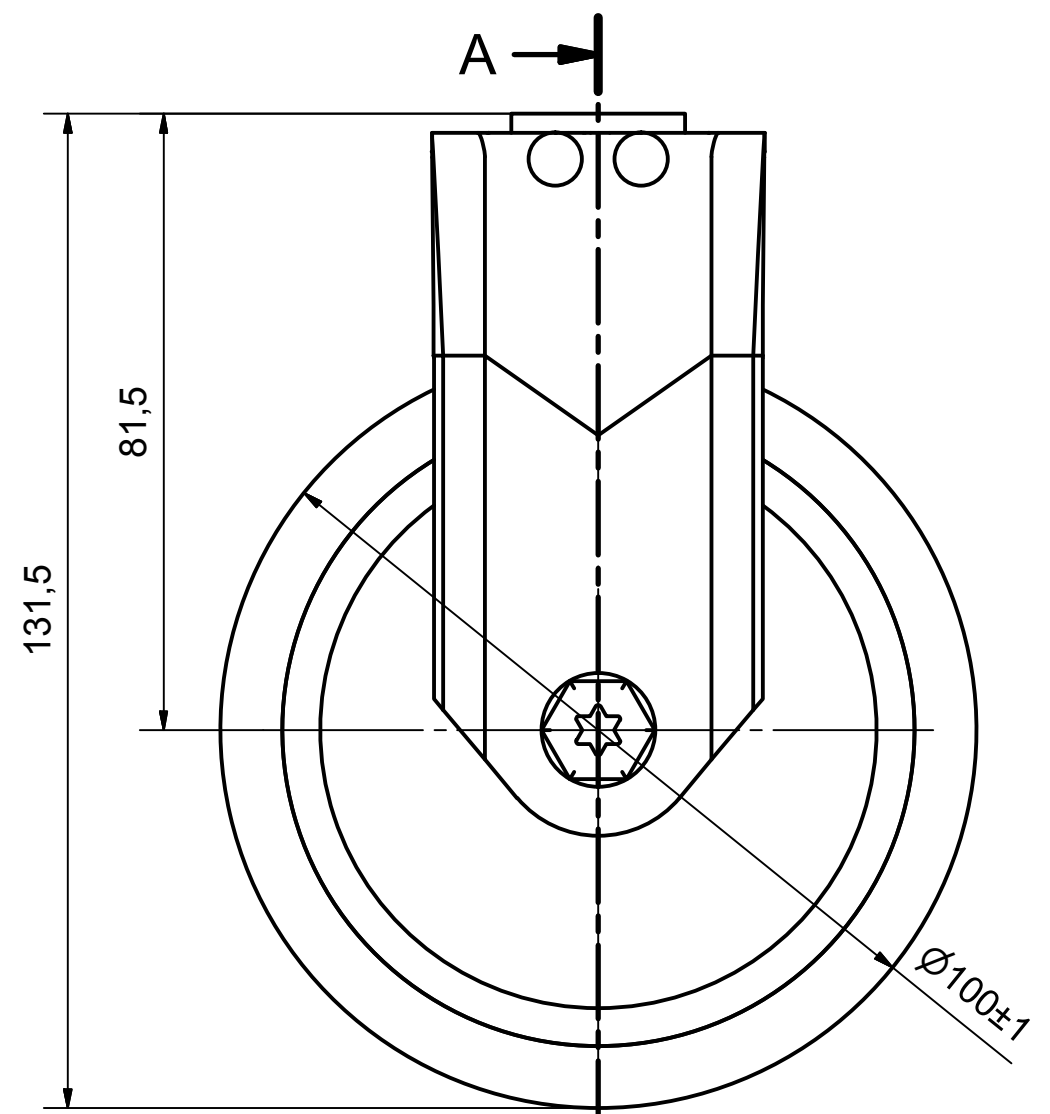
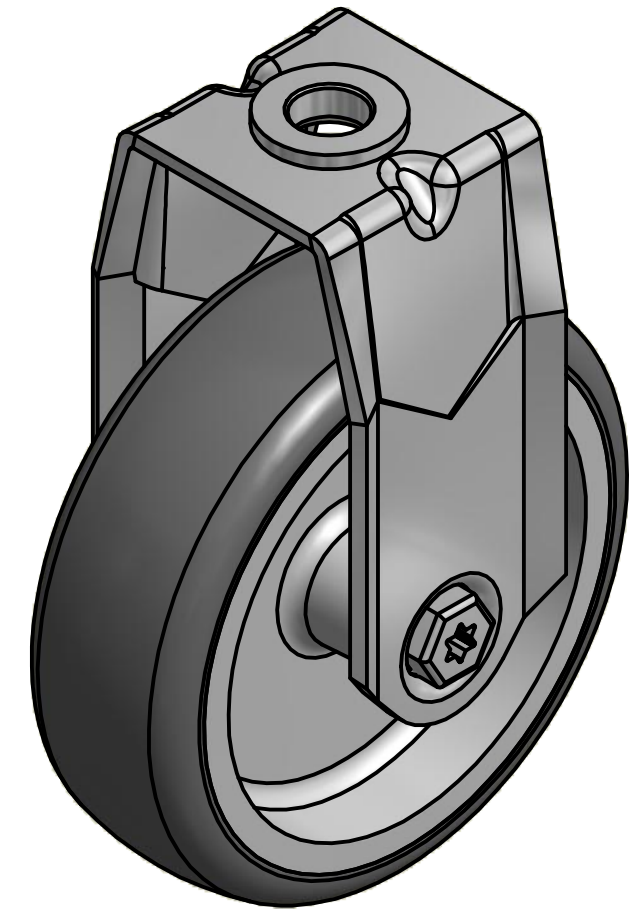
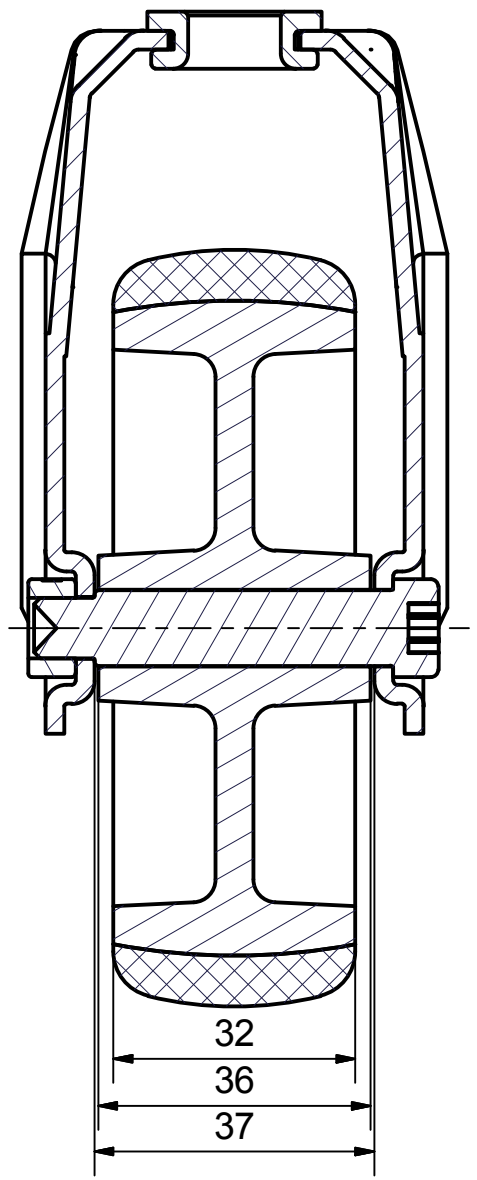


6 5 4 3 2 1

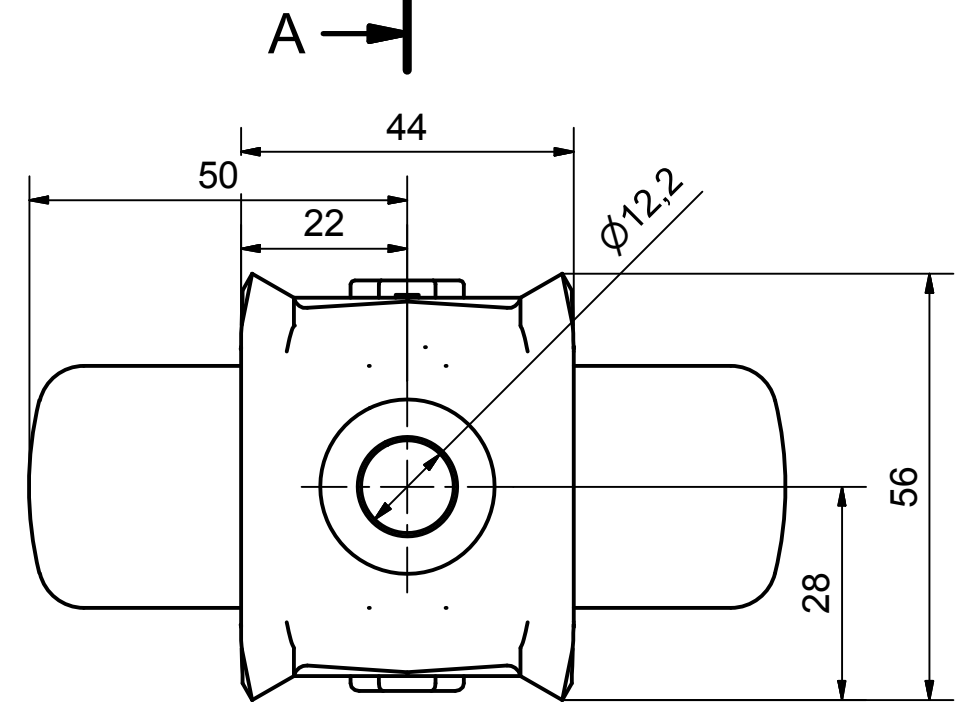
D  
C  
B  
A



SECTION A-A'




Load Capacity: 90kg, for speed up to 4km/h  
(According to EN 12530)



6 5 4 3 2 1

D  
C  
B  
A

|   |                     |                  |  |
|---|---------------------|------------------|--|
| <br>PRODUCTION OF INSTITUTIONAL CASTORS AND WHEELS<br>THESSALONIKI - GREECE            | PERMIS. VARIATIONS: |                  | PART No:   |
|   | SURFACE FINISH :    |                  | UNF . DIM.:  |
| This drawing is the property of RODA S.A. It must neither be reproduced in any manner nor shall it be submitted to third parties or competitors without our written consent | DESIGNED            | 23/7/2013        | E.POLIMEROPOULOU   |
|   | DRAWN               | 23/7/2013        | E.POLIMEROPOULOU   |
|   | CHECKED             | 23/7/2013        | H.SAATSOGLOU   |
|   |                     |                  | PART NAME : <b>SX.100.TPA.HF</b>   |
|   |                     |                  | PART DESCRIPTION : <b>Fixed castor, stainless support, bolt hole fitting (12,2mm).Wheel 100x32mm,non marking grey rubber (82shA) plain bearing</b> |
| C3  |                     |                  | DRAWING NUMBER :   |
| B2  |                     |                  | SHEET No.  |
| A1  |                     |                  |  |
| A/A   |                     |                  |  |
| QUANTITY  |                     | SCALE            |  |
| REPLACE :   |                     | GEN. DWG. NUM. : |  |