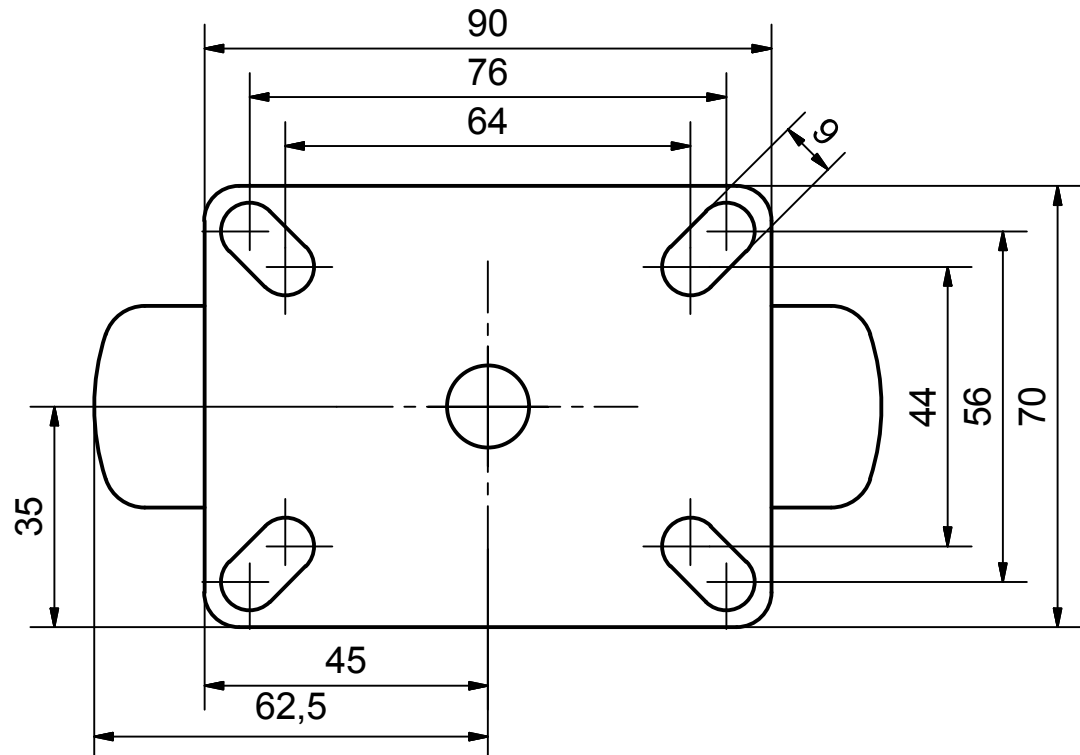



**Load Capacity: 100kg, for speed up to 4km/h
(According to EN 12530)**



	PRODUCTION OF INSTITUTIONAL CASTORS AND WHEELS THESSALONIKI - GREECE		PERMIS. VARIATIONS:	PART No:
	This drawing is the property of RODA S.A. It must neither be reproduced in any manner nor shall it be submitted to third parties or competitors without our written consent		SURFACE FINISH :	UNF . DIM.:
DESIGNED 26/7/2013 E.POLIMEROPOULOU DRAWN 26/7/2013 E.POLIMEROPOULOU CHECKED 26/7/2013 H.SAATSOGLOU	QUANTITY REPLACE :	SCALE	PART NAME : SX.125.TPA.TSGX	
C3 B2 A1 A/A	DRAWING NUMBER :	SHEET No.	PART DESCRIPTION : Fixed castor, stainless support, top plate fitting.Wheel 125x32mm,non marking grey rubber (82shA) plain bearing,stainless threa	
GEN. DWG. NUM. :			DRAWING NUMBER :	