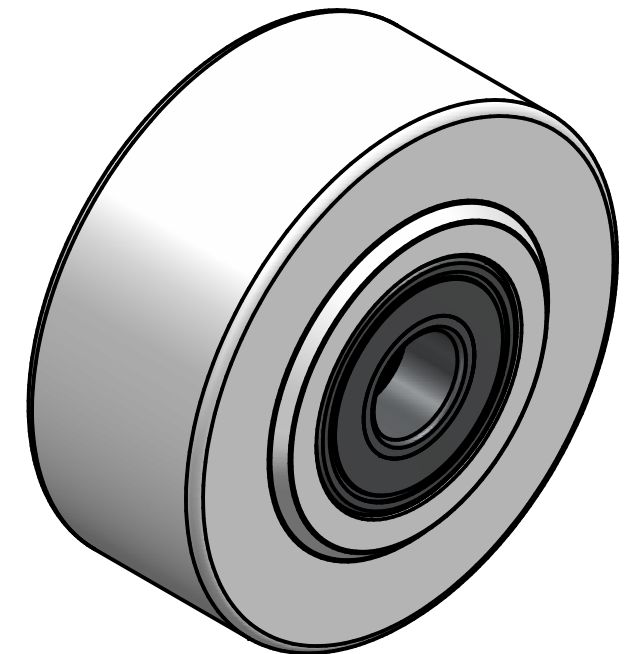



SECTION A-A



Item Number	Title	Material	Quantity
1	WL.100x40.NHD.S(47x14)	PA6-G	1
2	Radial deep groove ball bearing DIN 625 - 6204 - 2Z	Steel	2
3	Spacer 25x20x17	Steel	1

	PRODUCTION OF INSTITUTIONAL CATRORS AND WHEELS THESSALONIKI - GREECE		PERMIS. VARIATIONS:	PART No:
	This drawing is the property of RODA S.A. It must neither be reproduced in any manner nor shall it be submitted to third parties or competitors without our written consent		SURFACE FINISH:	UNF. DIM.:
C3 B2 A1 A/A	DESIGNED 11/12/2020 ALISANDRATOS S. DRAWN 11/12/2020 ALISANDRATOS S. CHECKED 11/12/2020 SAATSOGLOU G.	QUANTITY REPLACE	SCALE	MATERIAL : PART DESCRIPTION : WL100NHDS20x45
			DRAWING	SHEET No.
			GEN. DWG. NUM. :	