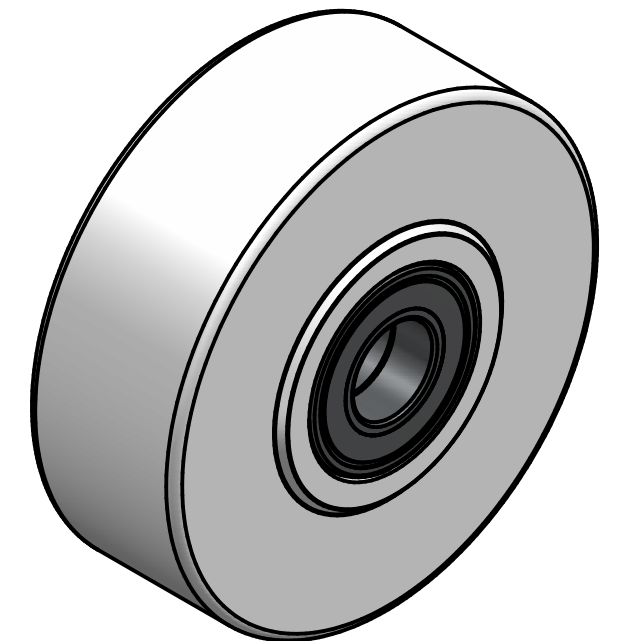



SECTION A-A



Item Number	Title	Material	Quantity
1	WL.160x55.NHD.S(62x16)	PA6-G	1
2	Radial deep groove ball bearing DIN 625 - 6206 - ZZ	Steel	2
3	Spacer 36x30x28	Steel	1

 PRODUCTION OF INSTITUTIONAL CATRORS AND WHEELS THESSALONIKI - GREECE	PERMIS. VARIATIONS:	PART No.:
	SURFACE FINISH:	UNF. DIM.:
This drawing is the property of RODA S.A. It must neither be reproduced in any manner nor shall it be submitted to third parties or competitors without our written consent.	DESIGNED 11/12/2020 ALISANDRATOS S.	MATERIAL :
	DRAWN 11/12/2020 ALISANDRATOS S.	PART DESCRIPTION :
	CHECKED 11/12/2020 SAATSOGLOU G.	<b>WL160NHDS30x60</b>
C3	QUANTITY	DRAWING
B2	SCALE	SHEET No.
A1	REPLACE	GEN. DWG. NUM. :
A/A		